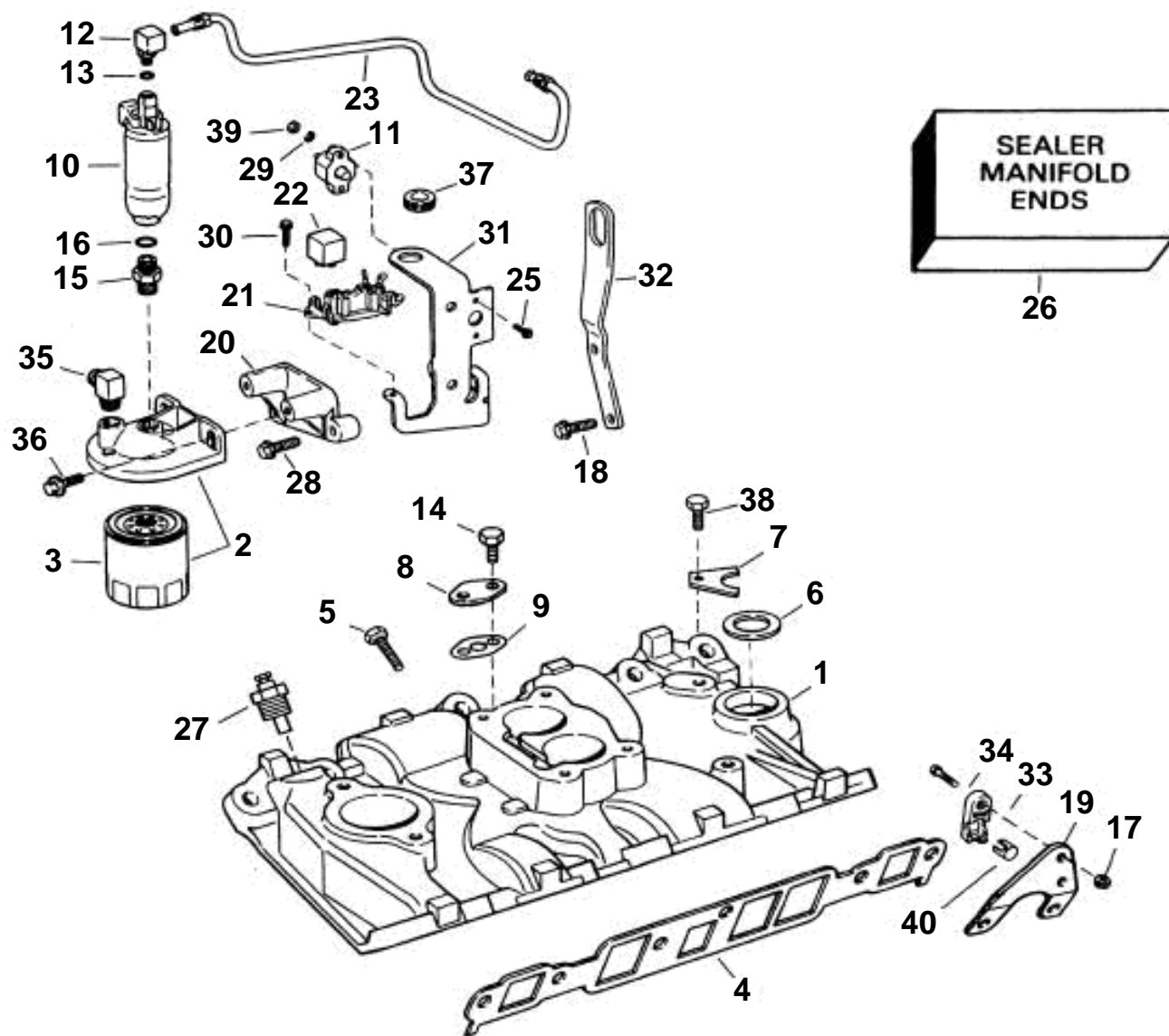


# INTAKE MANIFOLD & FUEL PUMP



# INTAKE MANIFOLD & FUEL PUMP

REF	PART NO.	QTY	DESCRIPTION
1	3850380	1	Inlet pipe, 4.3 GL, 2V
	3850381	1	Inlet pipe, 4.3 GS, 4V
2	3850861	1	Cover
3	3851218	1	· Fuel filter
4	3850379	1	Gasket kit, Manifold
5	3853196	12	Screw, Manifold to head
	3852580	4	Screw, Manifold to head
6	3852109	1	Gasket, Distributor
7	3852108	1	Clamp, Distributor
8	3853644	1	Cover
9	3850378	1	Gasket, Plate
10	3854620	1	Fuel pump
11	3854238	1	Fuse, Fuel pump
12	3853545	1	Fitting, Fuel pump to fuel line
13	3850820	1	· O-ring, Fitting
14	3853167	1	Screw, Plate
15	3853493	1	Fitting, Filter outlet to pump
16	3850819	1	· O-ring, Fitting
17	3852118	1	Nut, Anchor block
18	3853557	1	Screw, Lift bracket
19	3850221	1	Bracket, Throttle cable
20	3853310	1	Bracket, Fuel filter
21	3852210	1	Bracket, Relay
22	3850403	1	Relay
23	3854122	1	Fuel pipe, Fuel pump to carb
24	3854123	1	Fuel pipe, Fuel pump to carb
25	3853620	2	Screw, Circuit breaker
26	3853169	X	Sealant, Manifold ends
27	3852029	1	Sender, Water temp
	872070		Temperature sensor, Water temp., Dual station
		1	
28	3853326	2	Screw, Fuel filter bracket
29	3852001	2	Lock washer, Circuit breaker
30	3852208	2	Screw, Relay & cable to bracket
31	3853544	1	Bracket, Fuel filter & pump
32	3853311	1	Bracket, Lift
33	3850266	1	Anchorage
34	3852048	1	Screw, Throttle anchor
35	3852013	1	Riser, Fuel inlet
36	3853266	2	Screw, Filter to bracket
37	3852481	1	Grommet, Fuel pump
38	3853325	1	Screw, Distributor clamp
39	3852064	2	Nut, Circuit breaker