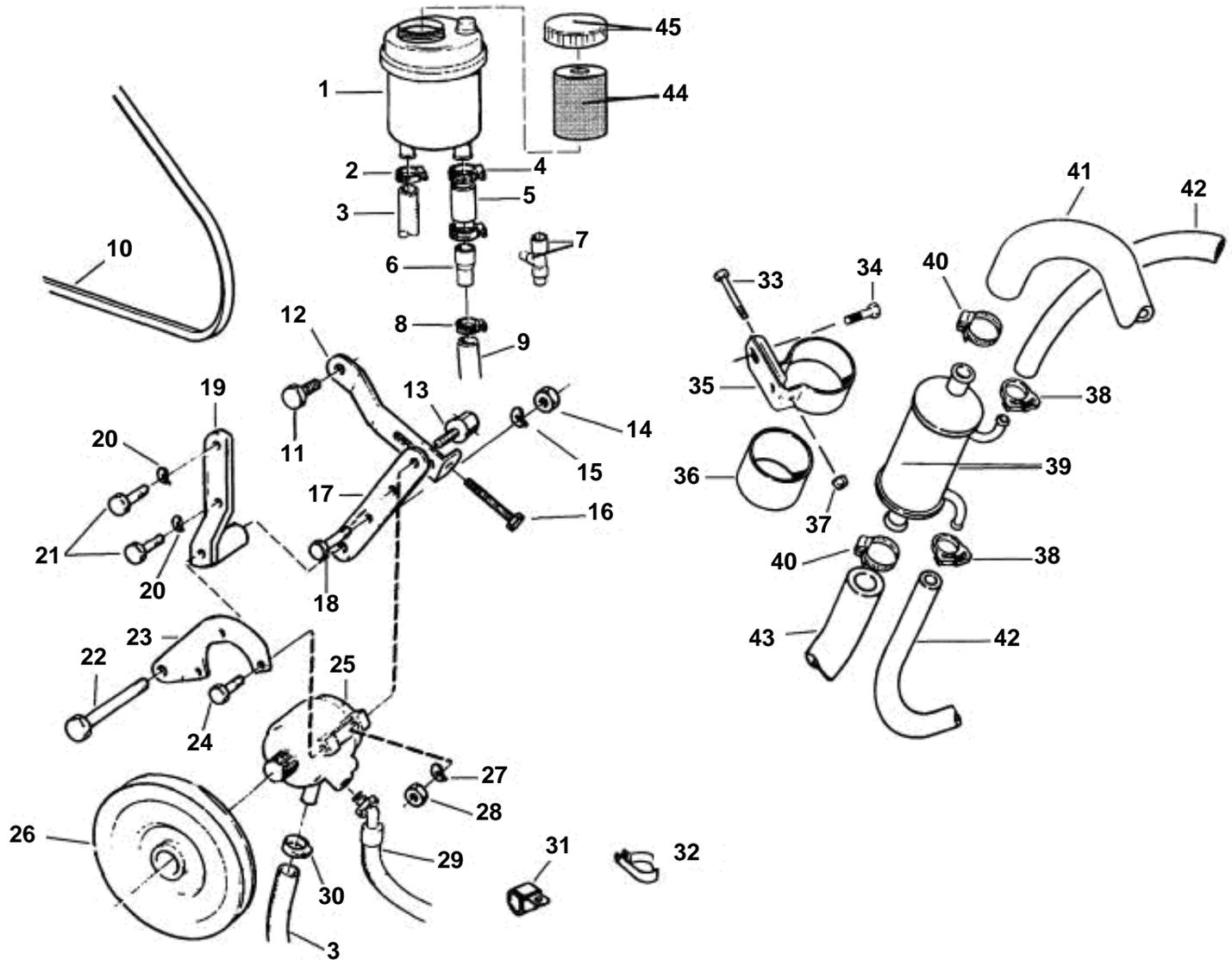


POWER STEERING DRIVE UNIT DPX



POWER STEERING DRIVE UNIT DPX

| REF | PART NO. | QTY | DESCRIPTION |
|-----|----------|-----|--|
| 1 | 872137 | 1 | Tank, Oil |
| 2 | 961665 | 1 | Hose clamp |
| 3 | 872973 | 1 | Hose, Reservoir to cooler |
| 4 | 961666 | 2 | Hose clamp |
| 5 | 873348 | 1 | Hose, Reservoir, short |
| 6 | 873350 | 1 | Tube, Reservoir |
| 7 | 872168 | 1 | T-nipple, Multiple engines |
| 8 | 961665 | 1 | Hose clamp |
| 9 | 873349 | 1 | Hose, Reservoir to pump |
| 10 | 3853368 | 1 | V-belt, Power steering pump |
| 11 | 3853389 | 1 | Screw, Tension brace |
| 12 | 3851123 | 1 | Bracket |
| 13 | 1336961 | 1 | Screw, Tension arm |
| 14 | 971099 | 1 | Flange lock nut |
| 15 | 941909 | 2 | Spring washer |
| 16 | 1346183 | 1 | Screw, Adjustment |
| 17 | 856153 | 1 | Bracket, Pump to engine, rear |
| 18 | 955295 | 2 | Screw, rear bracket to engine |
| 19 | 3851122 | 1 | Bracket, Pump to engine |
| 20 | 941909 | 2 | Spring washer |
| 21 | 3853558 | 2 | Screw, Pump bracket to engine |
| 22 | 946473 | 1 | Flange screw, Pivot |
| 23 | 856152 | 1 | Bracket, Pump to engine, front |
| 24 | 955295 | 3 | Screw, Front bracket to pump |
| 25 | 1359649 | 1 | Power steering pump |
| 26 | 1378643 | 1 | Pulley |
| 27 | 941907 | 1 | Spring washer |
| 28 | 955782 | 1 | Nut, Adjustment screw |
| 29 | 872159 | 1 | Hose, Pressure |
| 30 | 961664 | 1 | Hose clamp |
| 31 | 3852490 | 1 | Clamp, Hoses to front mount |
| 32 | 3852837 | 1 | Clamp, Hoses to head |
| 33 | 3852126 | 1 | Screw, Oil cooler clamp |
| 34 | 3853266 | 1 | Screw, Oil cooler mounting |
| 35 | 3852218 | 1 | Clamp, Oil cooler |
| 36 | 3853236 | 1 | Spacer, Oil cooler |
| 37 | 3852079 | 1 | Nut, Oil cooler bracket |
| 38 | 3852196 | 2 | Clamp, Hose to oil cooler |
| 39 | 3852840 | 1 | Oil cooler |
| 40 | 3852602 | 2 | Clamp, Oil coolerwater hose |
| 41 | 3853530 | 1 | Hose, Steering cooler to engine cooler |
| 42 | 872160 | 2 | Hose, Oil cooler |
| 43 | 3850285 | 1 | Hose, Water pump to oil cooler |
| 44 | 349619 | 1 | Filter, Reservoir |
| 45 | 1696361 | 1 | Cover, Reservoir |