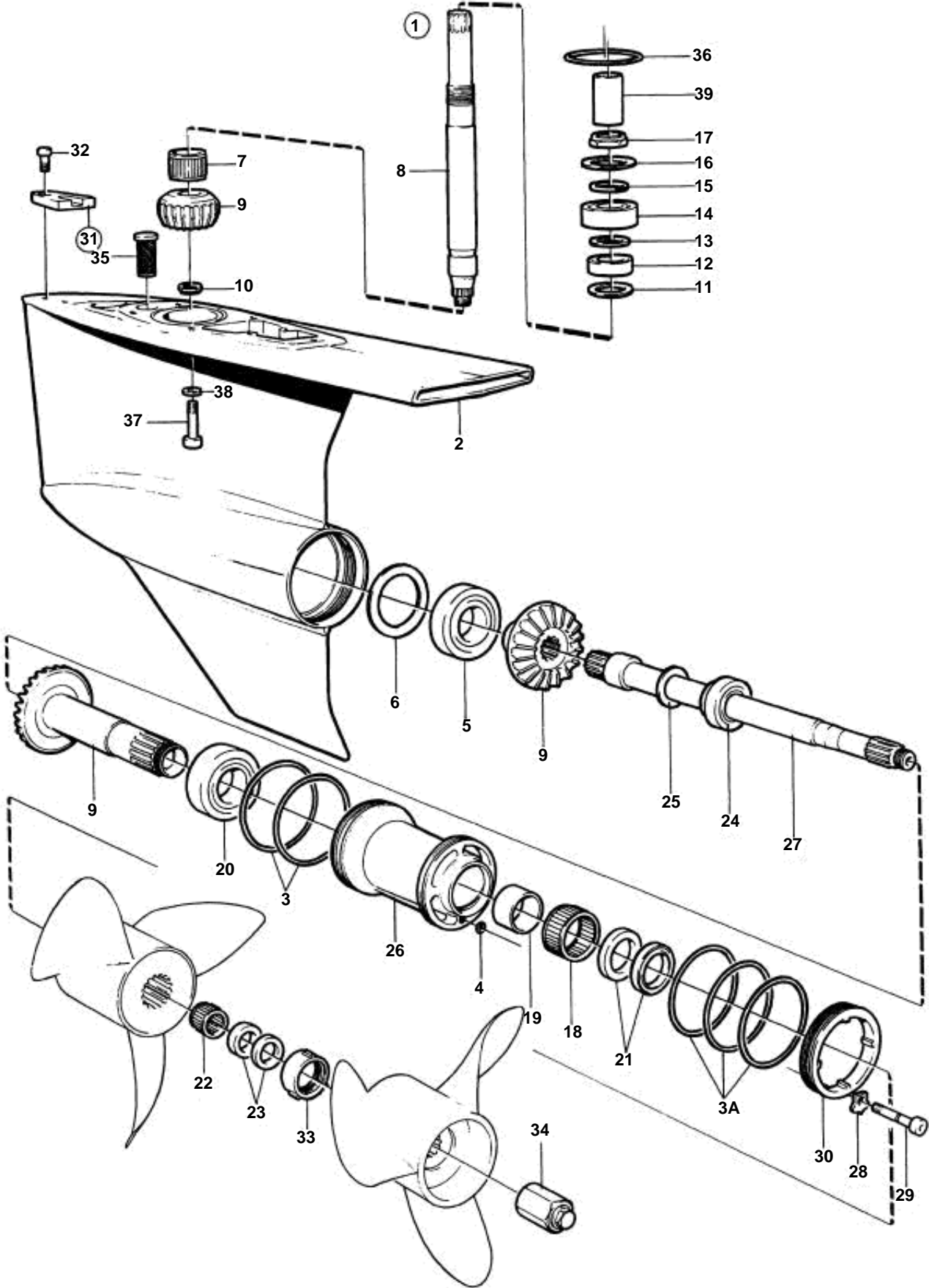


DPX - LOWER GEAR UNIT



DPX - LOWER GEAR UNIT

REF	PART NO.	QTY	DESCRIPTION	SEE SEC.	NOTES
1	872133	1	Gear under		
	872990	1	Gear under		
	872297	1	Gear under		
2	872134	1	· Gear housing		
3	873232	2	· O-ring		
3a	946438	3	· O-ring		
4	955981	1	· O-ring		
5	11044	1	· Bearing		
6	941823	X	· Adjusting washer, 1 mm)		
	967352	X	· Adjusting washer, 05 mm)		
	941824	X	· Adjusting washer, 2 mm)		
	967351	X	· Adjusting washer, 15 mm)		
	941825	X	· Adjusting washer, 4 mm)		
7	184654	1	· Needle bearing		
8	872293	1	· Countershaft		
9	872398	1	· Drive gear set		
	872146	1	· Drive gear set		
	872404	1	· Drive gear set		
10	852212	1	· Nut		
11	941832	X	· Adjusting washer, 05 mm)		
	941833	X	· Adjusting washer, 20 mm)		
12	183374	1	· Ball bearing		
13	944970	X	· Adjusting washer		
14	11072	1	· Roller bearing		
15	897387	1	· Spacer ring		
16	944522	X	· Shim, 05 mm)		
	42981	X	· Shim, 10 mm)		
	42980	X	· Shim, 35 mm)		
	968057	X	· Shim, 20 mm)		
17	969071	1	· Round nut		
18	183859	1	· Needle bearing		
19	184683	1	· Cone		
20	184765	1	· Roller bearing		
21	851407	2	· Sealing ring		
22	183272	1	· Needle bearing		
23	853871	1	· Sealing ring kit		
24	184691	1	· Bearing		
25	191834	X	· Shim, 10 mm)		
	191835	X	· Shim, 15 mm)		
	191837	X	· Shim, 25 mm)		
26	872136	1	· Bearing housing		
27	872393	1	· Driveshaft		
28	872403	1	· Washer		
29	872174	1	· Lock screw		
30	872172	1	· Thrust ring		
31	876638	1	· Zinc anode kit		
32	963684	2	· · Screw		
33	872760	1	· Propeller nut		
34	872179	1	· Propeller nut		
35	814482	1	· Oil pump screen		
36	925256	1	O-ring		Included in complete drive unit
37	959457	4	Screw		Included in complete drive unit
38	853095	4	Washer		Included in complete drive unit
39	854553	1	Splined sleeve		Included in complete drive unit
			Bulletin P-44-1-6	P-44-1-6-EN	Lower Gear Unit