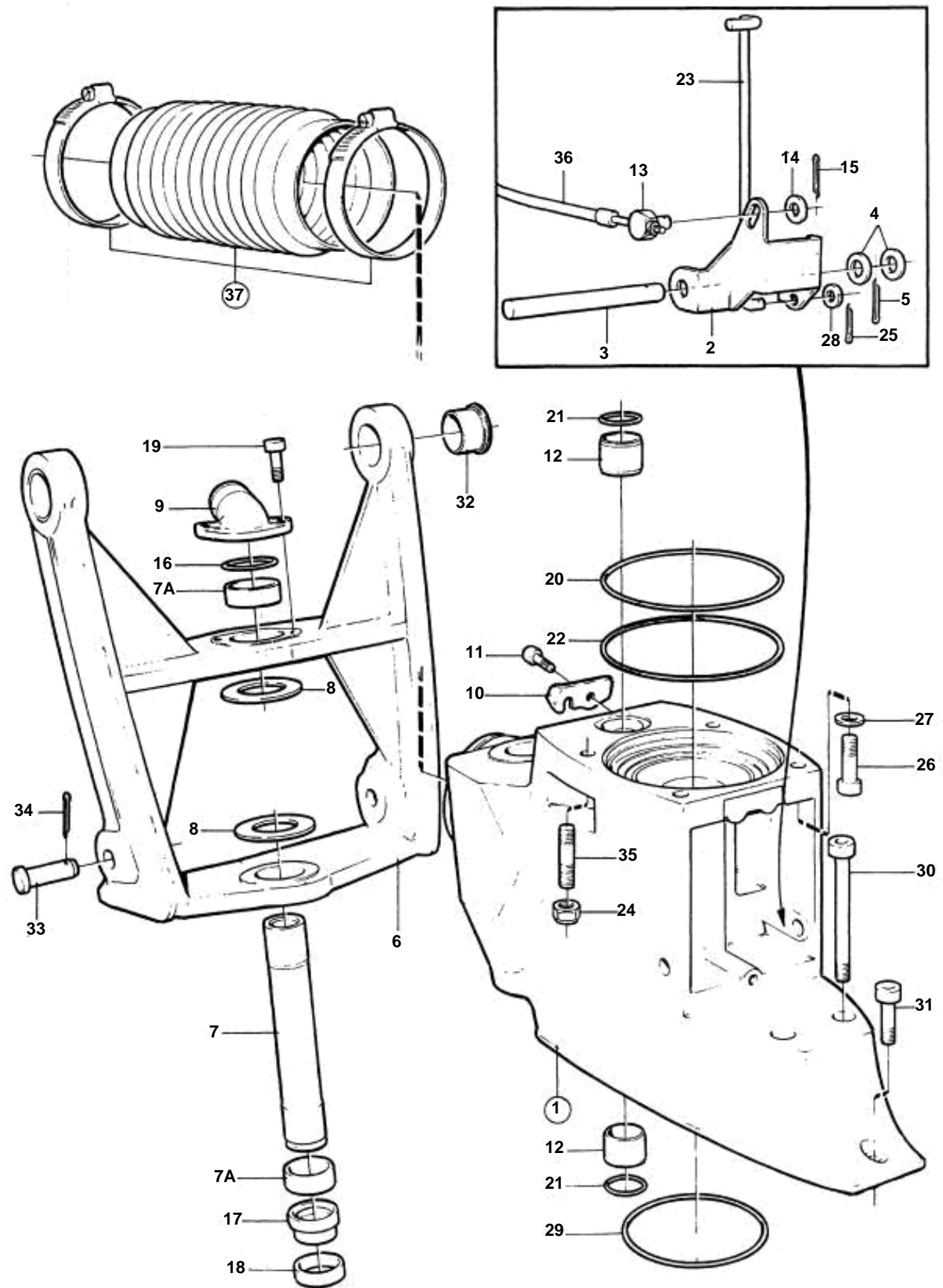


DP-D1 - INTERMEDIATE HOUSING



DP-D1 - INTERMEDIATE HOUSING

REF	PART NO.	QTY	DESCRIPTION	NOTES
1	872850	1	Intermediate housing	
2	872977	1	• Gear yoke	
3	897447	1	• Shaft	
4	897511	2	• Washer	
5	17253	1	• Cotter pin	
6	872853	1	Suspension fork	
7	872753	1	Steering knuckle	
7a	872756	2	Bearing bushing	
8	872754	2	Thrust washer	
9	872752	1	Hose connection	
10	872940	1	Cable attachment	
11	940168	1	Screw	
12	872986	2	Sleeve	
13	804312	1	Cube	
14	940191	1	Washer	
15	17276	1	Cotter pin	
16	979254	1	O-ring	
17	872792	1	Retainer	
18	872755	1	Seal	
19	940169	2	Screw	
20	925259	1	O-ring	
21	125017	2	O-ring	
22	941826	X	Adjusting washer, 05 mm)	
	941827	X	Adjusting washer, 20 mm)	
	948230	X	Shim, 35 mm)	
23	872822	1	Control rod	
24	941885	2	Nut	
25	17253	1	Cotter pin	
26	959456	2	Allen head screw	
27	853095	2	Washer	
28	940191	1	Washer	
29	925256	1	O-ring	
30	941808		Screw	
31	941809	1	Screw	
32	876507	1	Bushing kit	
33	872126	2	Clevis pin	
34	967707	2	Cotter pin	
35		2	STUD	Included in upper gear unit
36		X	CONTROL CABLE	
37	876631	1	Bellows kit	