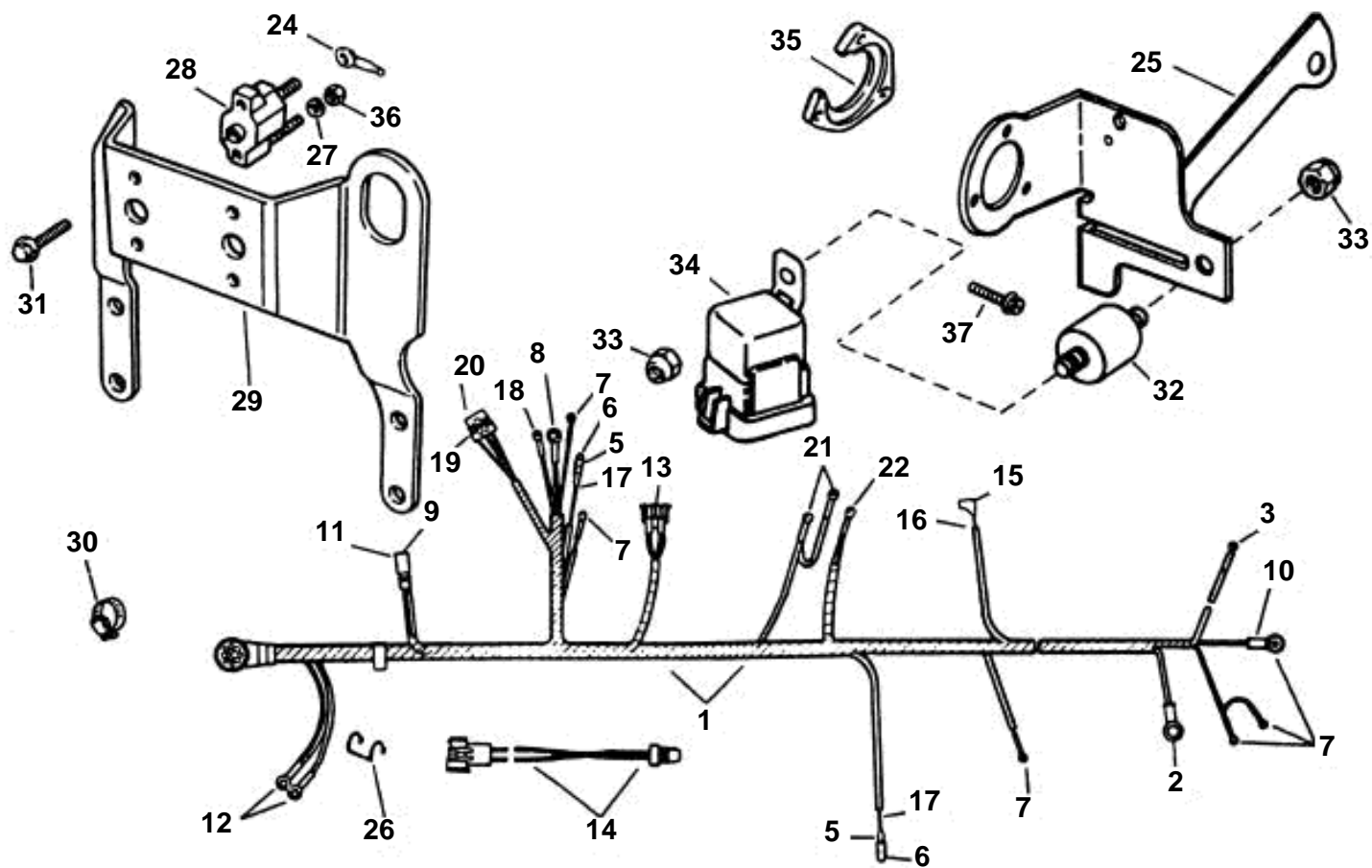


WIRE HARNESS, BRACKET & SOLENOID



WIRE HARNESS, BRACKET & SOLENOID

| REF | PART NO. | QTY | DESCRIPTION |
|-----|----------|-----|-------------------------------------|
| 1 | 3850409 | 1 | Cable harness, Engine |
| 2 | 3852036 | 1 | · Cable terminal, Alternator ground |
| 3 | 3852038 | 1 | · Cable terminal, Alternator output |
| 5 | 3852244 | 2 | · Cable terminal, Terminal |
| 6 | 3852181 | 2 | · Cap, Socket |
| 7 | 3852233 | 7 | · Cable terminal |
| 8 | 3852037 | 1 | · Cable terminal, Battery |
| 9 | 3852229 | 2 | · Cable terminal, Trim sender |
| 10 | 3852130 | 2 | · Rubber cap, Terminal |
| 11 | 3853565 | 1 | · Connector, Trim sender |
| 12 | 3852527 | 2 | · Cable terminal, Ground |
| 13 | 3854244 | 1 | · Cable, Coil |
| 14 | 3854084 | 1 | · Cable, Coil to distributor |
| 15 | 3852084 | 1 | · Cable terminal |
| 16 | 3853320 | 1 | · Cover, Terminal |
| 17 | 3852248 | 2 | · Cable sleeve, Terminal |
| 18 | 3852235 | 1 | · Cable terminal |
| 19 | 3854192 | 1 | · Connector |
| 20 | 3852254 | 4 | · Cable terminal, Relay |
| 21 | 3852245 | 2 | · Cable terminal |
| 22 | 3854245 | 1 | · Cable terminal |
| 24 | 3852235 | 2 | · Cable terminal |
| 25 | 3850240 | 1 | Bracket, Connector & relay |
| 26 | 3852237 | 1 | Retainer, Trim sender |
| 27 | 3852001 | 4 | Lock washer, Circuit breaker |
| 28 | 3854164 | 2 | Fuse, 50 amp |
| 29 | 3853374 | 1 | Bracket, Circuit breaker |
| 30 | 3853786 | 1 | Clamp, Instrument cable |
| 31 | 3853620 | 4 | Screw, Circuit breaker |
| 32 | 3850234 | 1 | Isolation, Relay mounting |
| 33 | 3852118 | 2 | Nut, Relay isolator |
| 34 | 3854138 | 1 | Relay, Starter motor |
| 35 | 3852825 | 1 | Retainer, Engine cable |
| 36 | 3852064 | 4 | Nut, Circuit breaker |
| 37 | 3852208 | 1 | Screw, Cable retainer |