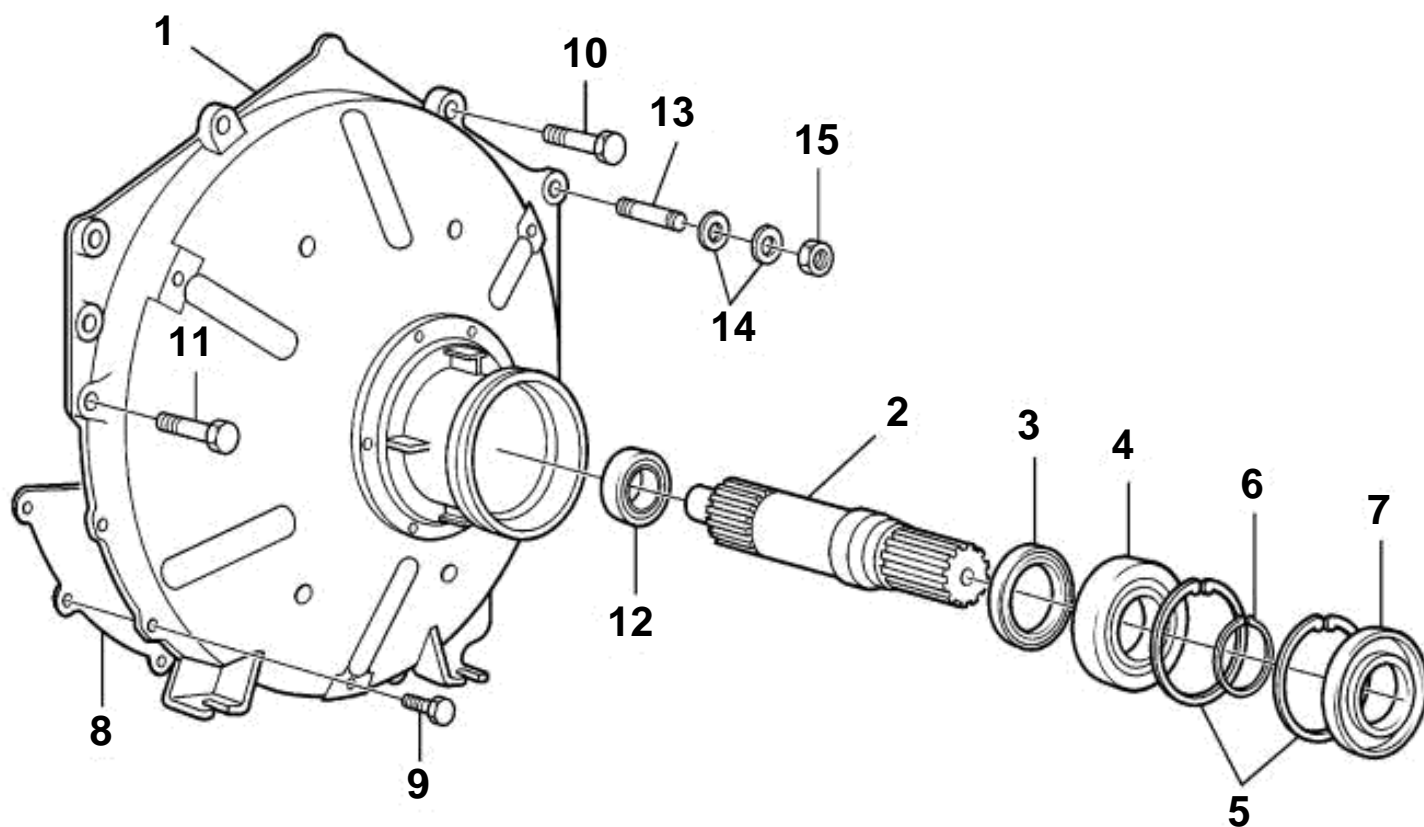


FLYWHEEL CASING & PRIMARY SHAFT, 290 DP



FLYWHEEL CASING & PRIMARY SHAFT, 290 DP

REF	PART NO.	QTY	DESCRIPTION	NOTES
1	3856699	1	Flywheel housing	
	3856001	2	· Pin, Flywheel housing	Not shown
	944738	1	Plastic plug, Flywheel housing	Not shown
	854103	1	Clamping ring, Flywheel housing	Not shown
	3854685	6	Screw, Clamp ring to flywheel housing	Not shown
2	873013	1	Primary shaft	
3	958859	1	Sealing ring, Primary shaft	
4	3851019	1	Ball bearing, Primary shaft	
5	3850715	2	Snap ring, Primary shaft	
6	3850709	1	Lock ring, Primary shaft	
7	958860	1	Sealing ring, Primary shaft	
8	854939	1	Cover plate, Flywheel housing	
9	947224	5	Screw, Flywheel cover to housing	
10	3853547	2	Screw	
11	3850753	2	Screw, Flywheel housing to engine	
12	856917	1	Bearing, Primary shaft to crankshaft	
13	3850571	2	Stud, Flywheel housing to engine	Ground
14	3852058	2	Washer	
	3852002	2	Lock washer	
15	3852065	2	Nut	