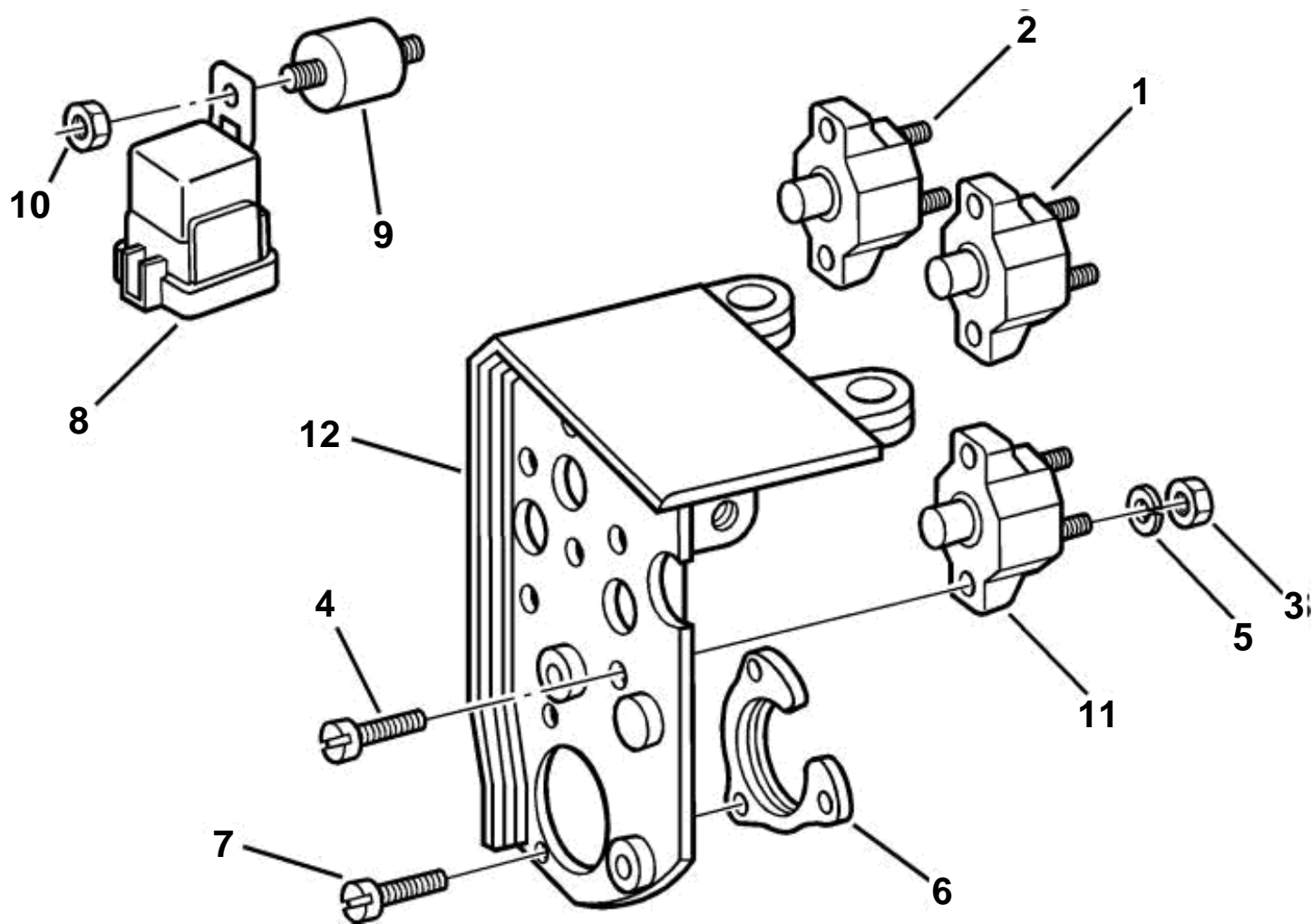


ENGINE WIRE HARNESS BRACKET, Gi/GLi/GSi



ENGINE WIRE HARNESS BRACKET, Gi/GLi/GSi

REF	PART NO.	QTY	DESCRIPTION	NOTES
1	3854162	1	Breaker, 12.5A, electronic engine control	
2	3854186	1	Fuse, 60A, engine	
3	3852064	6	Nut, Circuit breaker terminals	
4	3853620	2	Screw, Circuit breaker to bracket	Engine
5	3852001	6	Lock washer, Circuit breaker terminals	
	3852191	1	Washer, Electric choke lead	Ground
6	3852825	1	Retainer, Engine cable	
7	3852208	3	Screw, Retainer, engine cable end to bracket	
8	3854138	1	Relay, Starter motor	
9	3850234	1	Isolation, Relay mounting	
10	3852118	1	Nut, Relay to isolator	
11	3854164	1	Fuse, 50A	Tilt & trim
12	3856186	1	Bracket, Circuit breaker & engine cable	