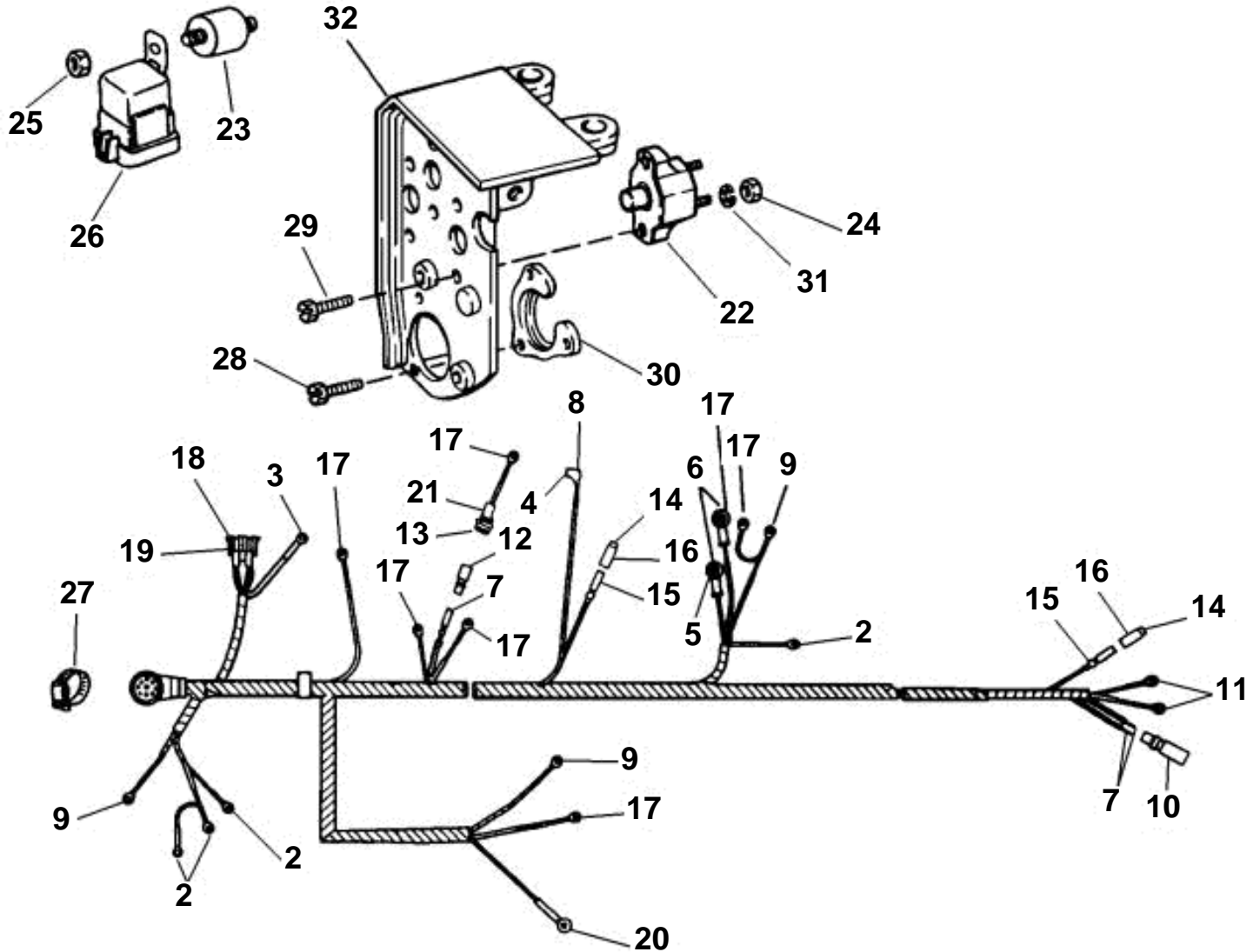


ENGINE WIRE HARNESS & BRACKET, GL/GS



ENGINE WIRE HARNESS & BRACKET, GL/GS

REF	PART NO.	QTY	DESCRIPTION	NOTES
1	3856190	1	Cable harness	
2	3852245	4	· Cable terminal	
3	3852107	1	· Cable terminal, Bracket ground	
4	3852084	1	· Cable terminal, Choke	
5	3852038	1	· Cable terminal, Alternator output	
6	3852130	2	· Rubber cap, Alternator	
7	3852229	2	· Cable terminal, Pin	
8	3853320	1	· Cover, Terminal	
9	3852235	3	· Cable terminal	
10	3853565	1	· Connector, 2-pin	
11	3850998	2	· Cable terminal, Ground	
12	3850992	1	· Connector, Socket	
13	3852257	1	· Cable terminal	
14	3852181	2	· Cap, Socket	
15	3852848	2		
16	3852244	2	· Cable terminal, Socket	
17	3852233	2	· Cable terminal	
18	3852254	4	· Cable terminal, Starter relay	
19	3854192	1	· Connector	
20	3852037	1	· Cable terminal, Starter	
21	3850991	1	· Connector	
22	3854164	2	Fuse, 50A	
23	3850234	1	Isolation, Starter relay	
24	3852064	2	Nut, Circuit breaker	
25	3852118	1	Nut, Starter motor to bracket	
26	3854138	1	Relay, Starter motor	
27	3853786	1	Clamp, Instrument cable	
28	3852208	3	Screw, Cable retainer	
29	3853620	2	Screw, Circuit breaker to bracket	Engine
30	3852825	1	Retainer, Engine cable	
31	3852001	2	Lock washer, Circuit breaker terminals	
32	3856186	1	Bracket, Circuit breaker & engine cable	
	3855938	4	Screw, Circuit breaker cover to bracket	Not shown