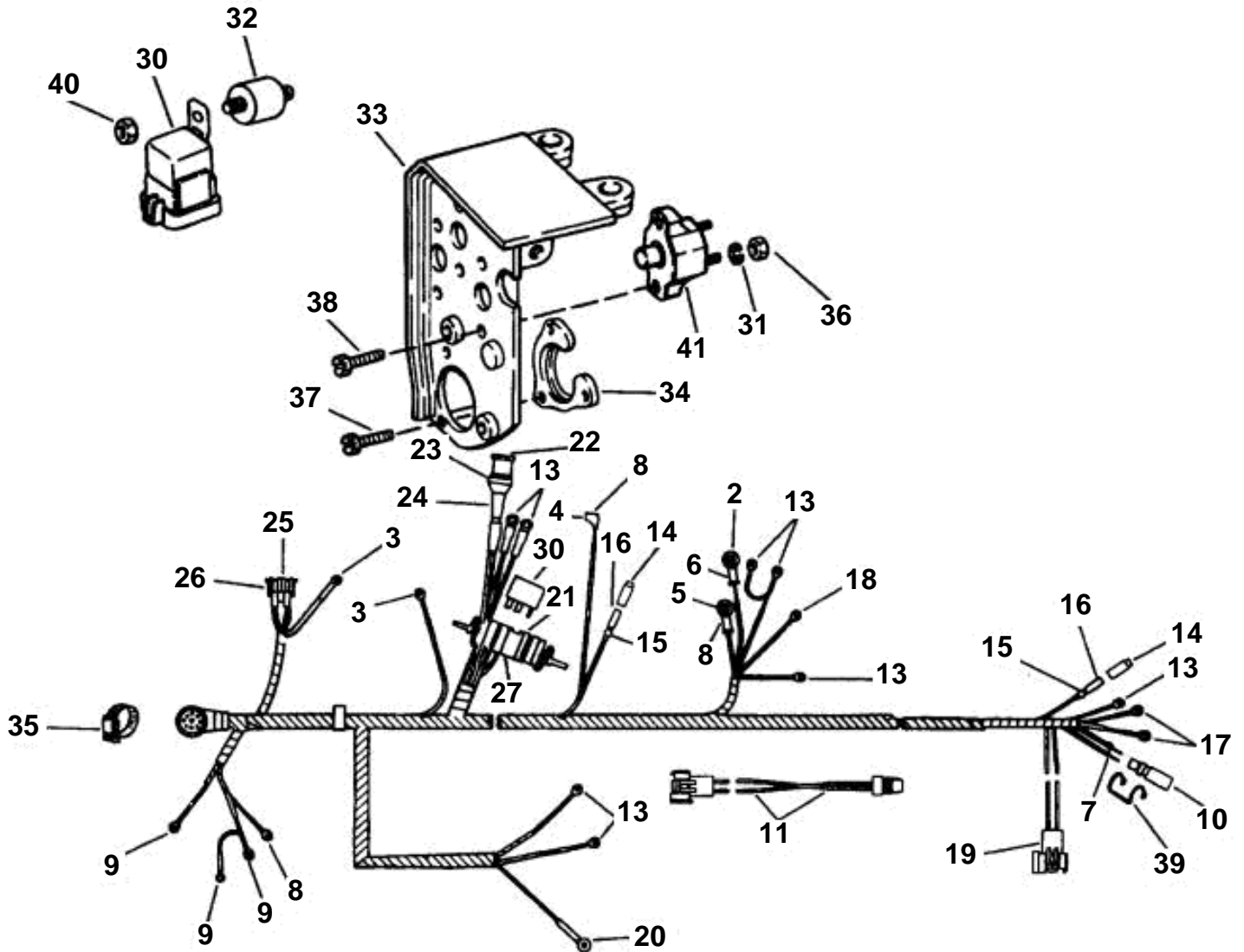


ENGINE WIRE HARNESS, GL/GS



ENGINE WIRE HARNESS, GL/GS

REF	PART NO.	QTY	DESCRIPTION	NOTES
1	3850407	1		
2	3852233	1	· Cable terminal, AC tap	
3	3852227	6	· Cable terminal, Bracket ground	
4	3852084	1	· Cable terminal, Choke	
5	3852037	1	· Cable terminal, Alternator output	
6	3852130	2	· Rubber cap	
7	3852229	2	· Cable terminal, Trim sender	
8	3853320	1	· Cover, Choke	
9	3852245	9	· Cable terminal	
10	3853565	1	· Connector, Trim sender	
11	3854084	1	· Cable, Distributor	
13	3852233	6	· Cable terminal	
14	3852181	2	· Cap, Socket	
15	3852248	2	· Cable sleeve	
16	3852244	2	· Cable terminal, Socket	
17	3850998	2	· Cable terminal, Ground	
18	3852036	1	· Cable terminal, Ground	
19	3854244	1	· Cable	
20	3850998	1	· Cable terminal, Starter	
21	3852247	1	· Cable terminal, Relay	
22	3853679	2	· Cable terminal, Fuel pump	
23	3852260	1	· Connector, Fuel pump	
24	3853681	1	· Cover, Fuel pump	
25	3852254	1	· Cable terminal, Starter relay	
26	3854192	1	· Connector	
27	3852210	1	· Bracket, Relay	
30	3854138	1	Relay, Starter motor	
31	3852001	2	Lock washer, Circuit breaker	
32	3850234	1	Isolation, Relay mounting	
33	3850455	1	Bracket, Engine cable	
34	3852825	1	Retainer, Engine cable	
35	3853786	1	Clamp, Instrument cable	
36	3852064	4	Nut, Circuit breaker terminals	
37	3852208	3	Screw, Cable retainer	
38	3853620	4	Screw, Circuit breaker to bracket	
39	3852237	1	Retainer, Trim sender	
40	3852118	1	Nut, Relay to isolator	
41	3854164	2	Fuse, 50A	
	3852258	1	· Diode	Not shown
	3850583	1	Decal, 4.3 GL	Not shown
	3850584	1	Decal, 4.3 GS	Not shown