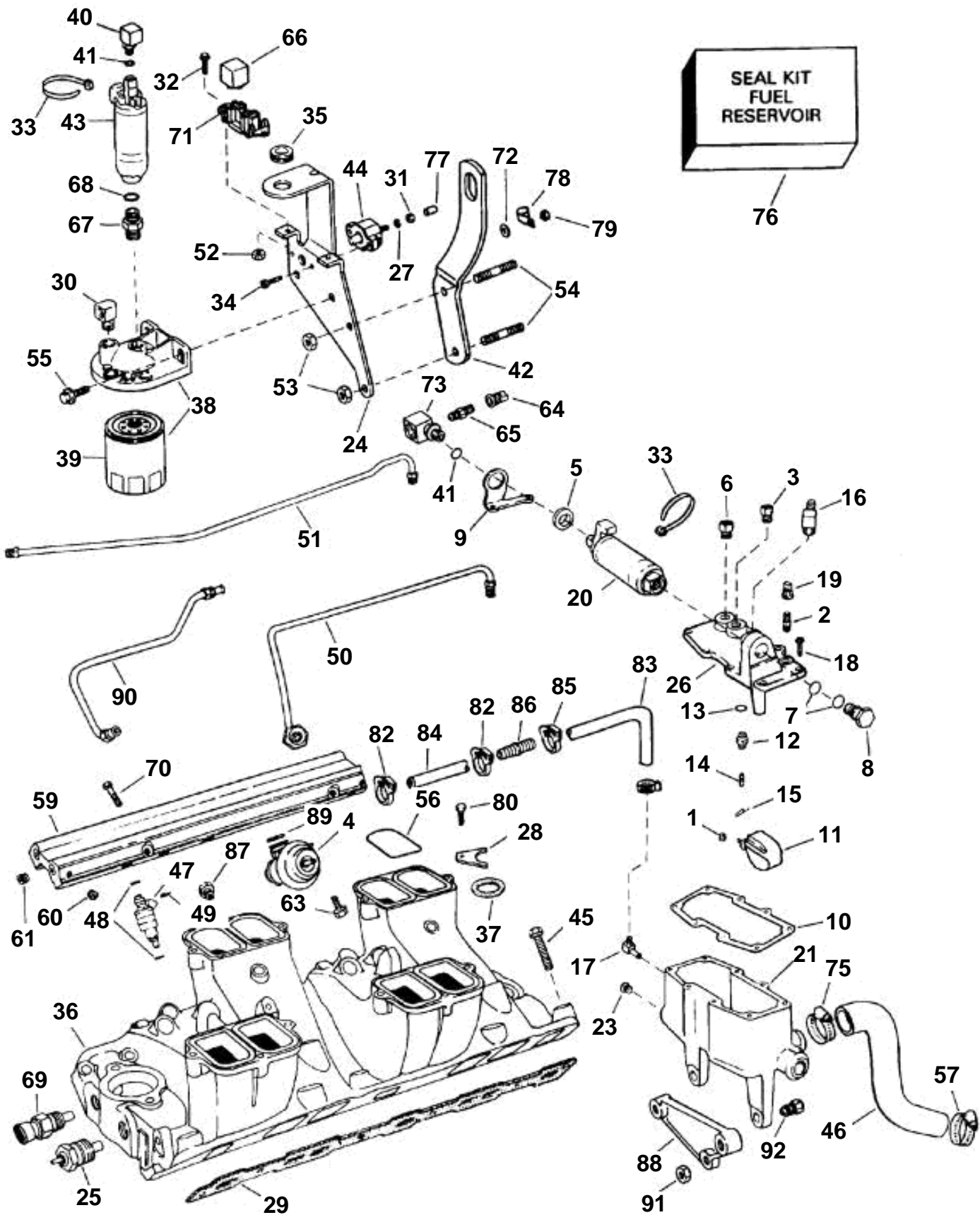


FUEL SYSTEM & LOWER INTAKE MANIFOLD, Gi, GSi



FUEL SYSTEM & LOWER INTAKE MANIFOLD, Gi, GSi

REF	PART NO.	QTY	DESCRIPTION	NOTES
1	3852034	1	Retainer, Float pin	Contents of fuel reservoir seal kit.
2	3854152	1	Valve, Pressure, reservoir	
3	3852462	1	Fitting, Cover; return line	
4	3854517	1	Pressure sensor	
5	3852481	1	Grommet, Fuel pump, reservoir	
6	3852017	1	Adapter, Pump to reservoir	
7	3853642	2	O-ring, Retainer, fuel pump.....:	Contents of fuel reservoir seal kit.
8	3853572	1	Hollow screw, Fuel pump to cooler	
9	3853573	1	Bracket, Fuel pump grommet	
10	3853574	1	Gasket, Cover, reservoir	Contents of fuel reservoir seal kit.
11	3853575	1	Float, Reservoir	
12	3853576	1	Seat, Float needle	Contents of fuel reservoir seal kit.
13	3853577	1	Gasket, Float needle seat	Contents of fuel reservoir seal kit.
14	3853578	1	Needle, Float	Contents of fuel reservoir seal kit.
15	3853579	1	Clip, Needle to float	Contents of fuel reservoir seal kit.
16	3853597	1	Elbow, Vent, reservoir to intake	
17	3852480	1	Riser, Reservoir to thermostat	
18	3853606	8	Screw, Cover to reservoir	
19	3853616	1	Protective cap, Pressure valve	
20	3854280	1	Fuel pump, High pressure	
21	3854149	1	Tank	
23	3852167	1	· Plug, Reservoir drain	
24	3854376	1	Bracket, Support	
25	3852029	1	Sender, Water temp	
	872070	1	Temperature sensor, Water temp, DS	
26	3854405	1	Cover, Reservoir	
27	3852001	2	Lock washer, Circuit breaker	
28	3852108	1	Clamp, Distributor	
29	3854096	1	Gasket kit, Intake manifold, Gi	
	3854095	1	Gasket kit, Intake manifold, GSi	
30	3852013	1	Riser, Fuel inlet	
31	3852064	1	Nut, Circuit breaker	
32	3852208	1	Screw, Relay to support	
33	3852158	2	Lock strap, Cable	
34	3853620	2	Screw, Circuit breaker	
35	3852481	1	Grommet, Fuel pump bracket	
36	3854516	1	Manifold, Gi	
	3854513	1	Manifold, GSi	
37	3852109	1	Gasket, Distributor	
38	3850861	1	Cover	
39	3851218	1	· Fuel filter	
40	3853494	1	Fitting, Fuel pump	
41	3850820	2	· O-ring, Fitting	Contents of fuel reservoir seal kit.
42	3854377	1	Bracket, Lift	
43	3854902	1	Fuel pump, Low pressure	
44	3854162		Breaker, 125A fuel pump	
45	3854653	12	Screw, Intake manifold, short	
	3854654	4	Screw, Intake manifold, long	
46	3854853	1	Hose, Reservoir to cooler, Gi IB	
	3854849	1	Hose, Reservoir to cooler, DP/DPX	
47	3854518	8	Injector, Fuel	
48	3855192	16	· O-ring, Fuel injector	
49	3855191	8	· Clip, Fuel injector	
50	3854646	1	Fuel pipe, Regulator to reservoir	
51	3854644	1	Fuel pipe, Fuel pump to reservoir	
52	3852077	2	Nut, Relay bracket	
53	3853273	2	Lock nut, Stud	
54	3852117	2	Stud, Brackets	
55	3853393	1	Screw, Fuel filter bracket	
56	3854515	8	O-ring, Manifold	
57	3852098	1	Clamp, Hose to gimbal	
59	3854574	1	Fuel pipe, Fuel	
60	3855032	1	· Plug, Fuel rail,1/16-27 NPTF	
61	3855033	1	· Plug, Fuel rail,1/8-27 NPTF	

7797019 - - 0-0005

GR9991005

Upd: 15 FEB 2006

HU, 7.4 GL, 8.2 GL; 7.4 Gi; 7.4 Gsi

VOLVO
PENTA

FUEL SYSTEM & LOWER INTAKE MANIFOLD, Gi, GSi

REF	PART NO.	QTY	DESCRIPTION	NOTES
63	3852115	1	Screw, Pressure regulator	
64	3853616	2	Protective cap, Pressure valve	
65	3854152	2	Valve, Pressure	
66	3850403	1	Relay, Fuel pump	
67	3853493	1	Fitting, Filter outlet to pump	
68	3850819	1	· O-ring, Fitting	
69	3850397	1	Ect sensor, Coolant temperature	
70	3854923	4	Screw, Fuel rail assy	
71	3852210	1	Bracket, Relay	
72	3852495	1	Spacer, Oil tube clamp	
73	3854924	1	Fitting	
75	3852602	1	Clamp, Hose to reservoir	
76	3850374	1	Sealing kit, Fuel reservoir	
77	3853537	2	Protective cap, Terminal	
78	3852458	1	Clamp, Oil drain tube	
79	3852129	1	Nut, Fuel filter bracket	
80	3853557	1	Screw, Distributor clamp	
82	3852196	3	Clamp, Antisiphon hose	
83	3850658	1	Hose, Valve to reservoir	
84	3854673	1	Hose, Thermostat to valve	
85	3854925	1	Clamp, Antisiphon valve	
86	3850666	1	Nipple, Antisiphon	
87	3852017	1	Adapter, Fuel line	
88	3854582	2	Bracket, Reservoir, Gi IB	
	3852071	2	O-ring, Reservoir	
89	3855190	1	O-ring, Regulator	
90	3854645	1	Fuel pipe, HP fuel pump to fuel rail	
91	3850657	2	Nut, Reservoir to bracket	
92	3853558	2	Screw, Reservoir to bracket	