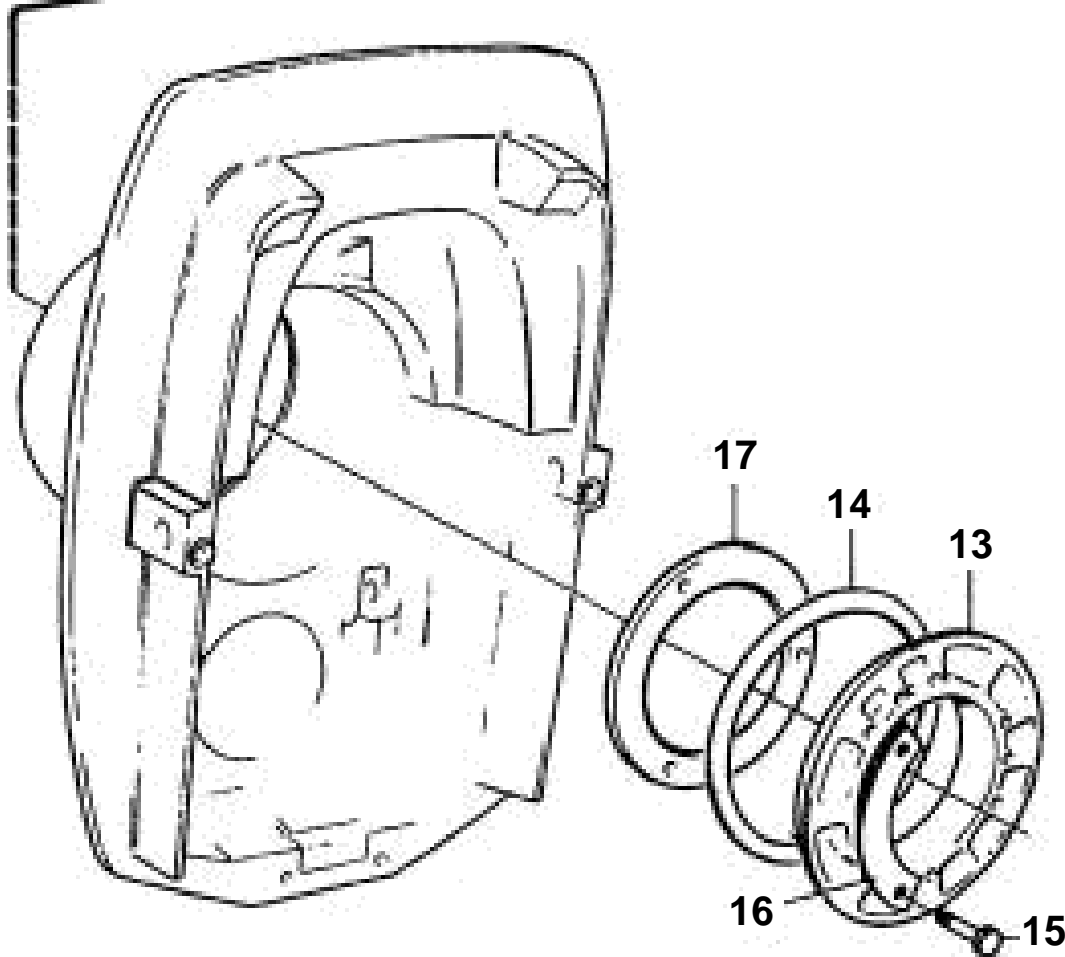
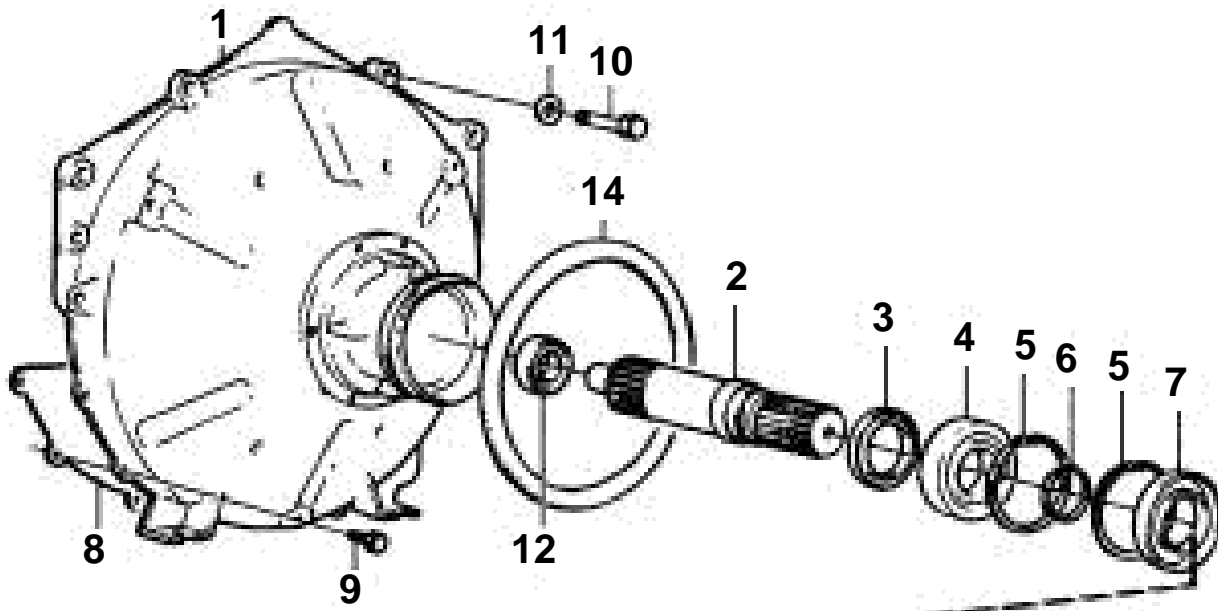


DP, DPX-FLYWHEEL CASING, PRIMARY SHAFT, & CLAMPING RING KIT



DP, DPX-FLYWHEEL CASING, PRIMARY SHAFT, & CLAMPING RING KIT

REF	PART NO.	QTY	DESCRIPTION
1	3851017	1	Flywheel housing
2	873013	1	Primary shaft
3	958859	1	Sealing ring
4	3851019	1	Ball bearing
5	3850715	2	Snap ring
6	3850709	1	Lock ring
7	958860	1	Sealing ring
8	854939	1	Cover plate
9	947224	5	Screw
10	955536	6	Screw
11	942336	6	Spring washer
12	856917	1	Bearing
13	854316	1	Clamping ring kit
14	813967	2	• Rubber ring
15	191844	6	• Screw
16	806624	3	• Striker plate