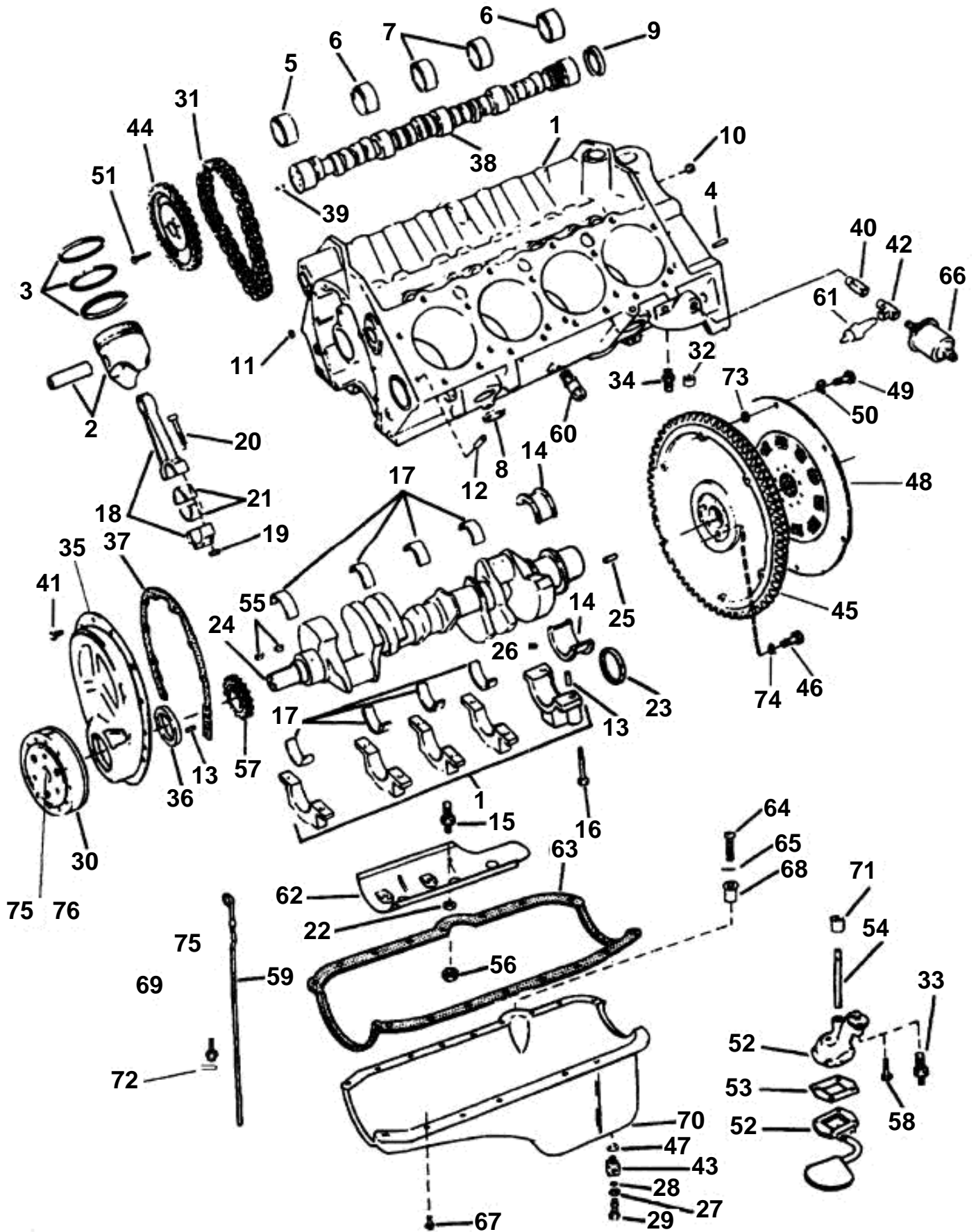


CRANKCASE & OIL PAN



CRANKCASE & OIL PAN

REF	PART NO.	QTY	DESCRIPTION	SEE SEC.	NOTES
1	3850854	1	Longblock		7.4 GL, 7.4 Gi, 7.4GSi, Long block assembly consists of complete cylinder head(s), intake manifold, water circ. pump, flywheel, and assembled block with internal components.
			Bulletin P-21-0-6	P-21-0-6-EN	Longblock Guidelines, 7.4L and 8.2L
1	3850857	1	Longblock		
			Bulletin P-21-0-6	P-21-0-6-EN	Longblock Guidelines, 7.4L and 8.2L
2	3855036	X	Piston, Standard'		
	3853590	X	Piston, Standard		8.2 GL
	3855293	X	Piston, Standard		7.4 Gi
	3855045	X	Piston, Standard		7.4Gsi
	3855038	X	Piston, 0.030 in. OS		7.4 GL
	3853589	X	Piston, 0.030 in. OS		8.2 GL
	3855295	X	Piston, 0.030 in. OS		7.4 Gi
	3855047	X	Piston, 0.030 in. OS		7.4Gsi
3	3855039	X	Piston ring kit, Standard		7.4 GL, 7.4 Gi, 7.4GSi
	3855040	X	Piston ring kit, 0.030 in. OS		7.4 GL, 7.4 Gi, 7.4GSi
	3854148	X	Piston ring kit, Standard		8.2 GL
	3854222	X	Piston ring kit, 0.030 in. OS		8.2 GL
4	3853113	2	Locating pin, Flywheel housing		
5	3853345	1	Camshaft bearing, Camshaft, #1		
6	3853346	2	Camshaft bearing, Camshaft, #2, #5		
7	3853347	2	Camshaft bearing, Camshaft, #3, #4		
8	3852100	8	Core plug, Water jacket		
9	3853348	1	Cap plug, Camshaft brg., rear		
10	3852471	10	Plug, Oil gallery		
11	3852471	3	Plug, Oil gallery, front		
12	3853344	4	Locating pin, Cylinder head		
13	3853213	4	Pin, Front cover & brg. cap		
14	3853541	1	Thrust bearing, Rear, standard		
15	3853529	4	Stud, Bearing cap		
16	3853500	10	Screw, Bearing cap, outer		
	3853501	6	Screw, Bearing cap, inner		
17	3853542	4	Main bearing, Standard		
18	3854079	8	Connecting rod		7.4 GL, 7.4 Gi
	3853355	8	Connecting rod		8.2 GL, 7.4GSi
19	3853148	16	Nut, Connecting rod bolt		7.4 GL, 7.4 Gi
	3853365	16	Nut, Connecting rod bolt		8.2 GL, 7.4GSi
20	3853481	16	Screw, Connecting rod		7.4 GL, 7.4 Gi
	3853356	16	Screw, Connecting rod		8.2 GL, 7.4GSi
21	3853540	8	Rod bearing, Rod, standard		
22	3853357	5	Washer, Oil pan baffle		
23	3853528	1	Crankshaft seal, Crankshaft, rear		
24	3853509	1	Crankshaft		7.4 GL, 7.4 Gi
	3853586	1	Crankshaft		8.2 GL
	3855050	1	Crankshaft		7.4Gsi
25	3853200	1	Pin, Flywheel		
26	3853538	1	O-ring, Rear main cap		
27	3852007	1	Washer, Retainer		
28	3853674	1	O-ring, Retainer		
29	3852694	1	Hollow screw, Oil pan drain		
30	3854092	1	Vibration damper		7.4 GL, 7.4 Gi
	3853588	1	Vibration damper		8.2 GL, 7.4GSi
31	3853506	1	Camshaft chain, Camshaft timing		7.4 GL
	3853364	1	Camshaft chain, Camshaft timing		8.2 GL
32	3854112	1	Valve		
33	3853359	1	Stud, Oil pump & screen		
34	3852097	1	Connector, Oil adapter		
35	3853508	1	Timing gear casing, Timing		7.4 GL
	3853735	1	Timing gear casing, Timing		8.2 GL
36	3853360	1	Seal, Front cover		
37	3853512	1	Gasket, Front cover		

CRANKCASE & OIL PAN

REF	PART NO.	QTY	DESCRIPTION	SEE SEC.	NOTES
38	3855034	1	Camshaft		7.4 GL, 8.2 GL
	3854016	1	Camshaft		7.4 Gi
39	3853213	1	Pin, Camshaft gear		
40	3852465	1	Bushing, Oil pressure		
41	3852441	10	Screw, Timing cover		
42	3852610	1	T-nipple, Oil pressures		
43	3855112	1	Fitting, Oil pan drain		
44	3853523	1	Sprocket, Camshaft		7.4 GL, 8.2 GL
	3853362	1	Sprocket, Camshaft		7.4 Gi
45	3854093	1	Flywheel		7.4 G, 7.4 Gi L
	3854094	1	Flywheel		8.2 GL, 7.4GSi
46	835439	6	Screw, Flywheel		
47	3851981	1	Sealing washer, Fitting to oil pan		
48	854185	1	Vibration damper		
49	835482	6	Screw, Damper to flywheel		
50	942336	6	Spring washer, Damper		
51	3853173	3	Screw, Camshaft sprocket		
52	3855035	1	Oil pump		
53	3853514	1	Gasket, Oil pump		
54	3853482	1	Shaft, Shaft & gear to oil pump		
55	3853527	2	Key, Woodruff		
56	3853134	5	Nut, Oil pan baffle		
57	3853522	1	Sprocket, Crankshaft		7.4 GL, 8.2 GL
	3853363	1	Sprocket, Crankshaft		7.4 Gi
58	3853359	1	Stud, Pump to block		
59	3850474	1	Oil dipstick, Oil level		
60	3854494	2	Drain cock, Water drain		
61	3852215	1	Switch, Oil pressure		
62	3854090	1	Baffle plate, Oil pan		
63	3853510	1	Gasket, Oil pan		
64	3852179	1	Screw, Oil pan seal		
65	3852188	1	Washer, Oil pan oil plug		
66	3853800	1	Oil pressure sensor, Oil pressure		
67	3853358	20	Screw, Oil pan		
68	3852611	1	Plug, Oil pan hole		
69	3854180	1	Tube, Oil drain		7.4 GL, 8.2 GL
	3854657	1	Tube, Oil drain		7.4 Gi, 7.4GSi
70	3854103	1	Oil pan		7.4 GL, 8.2 GL
	3855052	1	Oil pan		7.4 Gi
71	3853199	1	Retainer, Shaft & gear to oil pump		
72	3852033	1	O-ring, Oil tube		
73	940097	6	Washer, Damper to flywheel		
74	941909	6	Spring washer, Flywheel		
75	3853502	1	Flange screw, Crankshaft damper		
76	3853354	1	Washer, Crankshaft damper		