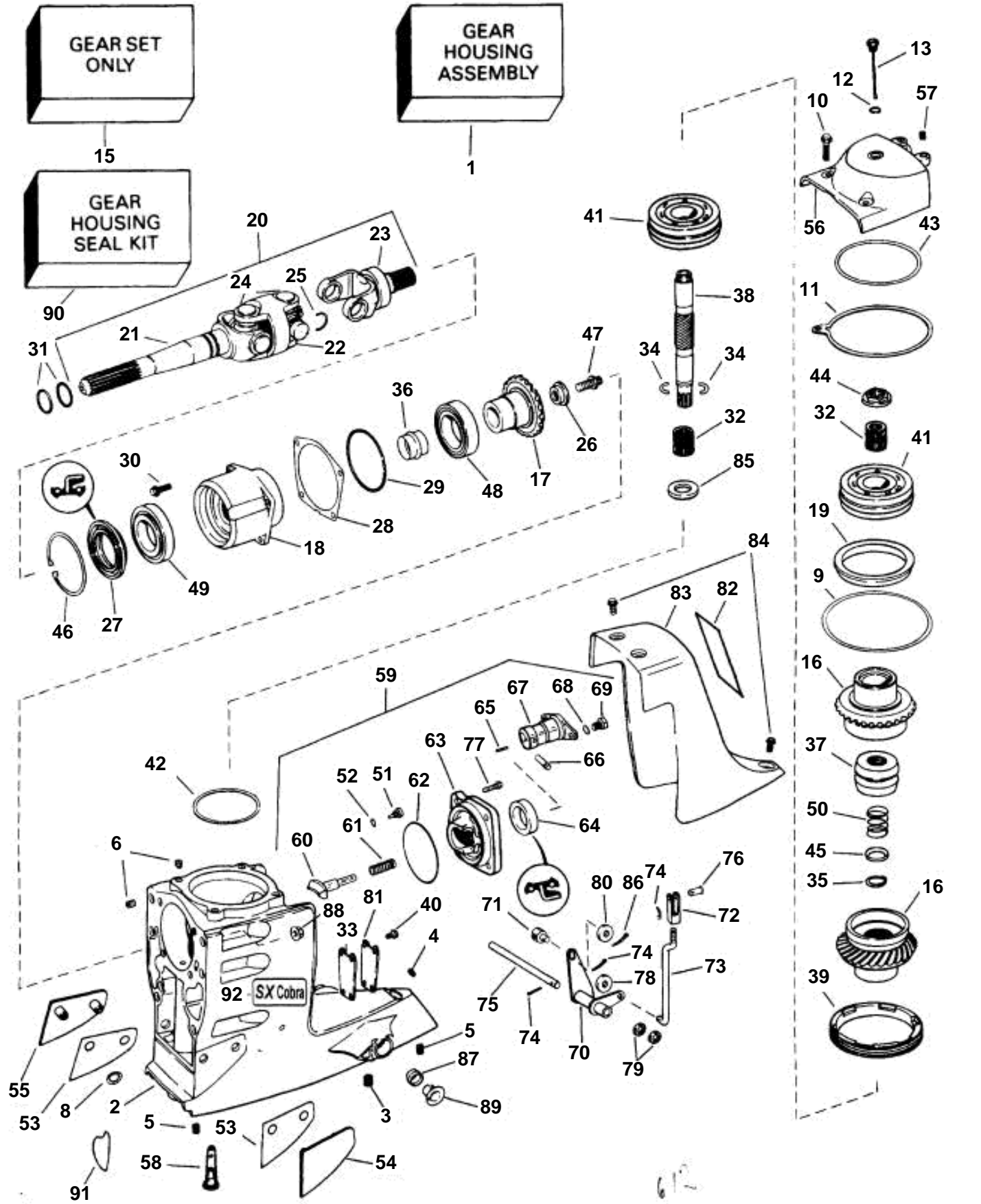


UPPER GEAR UNIT



UPPER GEAR UNIT

REF	PART NO.	QTY	DESCRIPTION	SEE SEC.	NOTES
	3868159		Drive, Complete assembly, 1.85:1		
1	3855103	1	Upper gear unit		
2	3855102		• Gear housing		
3	3852541	1	• • Insert, Threaded, 1/16-14		
4	3852567	1	• • Thread insert, Threaded, 5/1618, short		
5	3852515	5	• • Thread insert, Threaded, 3/8-16		
6	3852513	8	• • Thread insert, Threaded, 5/16-18		
8	3852516	4	• Ring retainer, Thrust plate		
9	3852363	X	• Shim, Upper bearing, 0.002 in		
	3852364	X	• Shim, Upper bearing, 0.003 in		
	3852365	X	• Shim, Upper bearing, 0.004 in		
	3852366	X	• Shim, Upper bearing, 0.005 in		
	3852367	X	• Shim, Upper bearing, 0.010 in		
10	3850629	4	• Screw, Top cover		
11	3852317	1	• Gasket, Top cover		Contents of uppe^ gear housing seal kit
12	3852045	1	• O-ring, Oil fill plug		Contents of uppe^ gear housing seal kit
13	3854847	1	• Oil dipstick, Oil indicator		
15	3851505	1	• Gear set, Pinion & drive gears		
16		2	• • Drive gear		
17		1	• • Pinion gear		
18	3852267	1	• Bearing carrier, Pinion		
19	3852269	1	• Support ring, Upper bearing support		
20	3852384	1	• Universal joint		
			• Bulletin P-44-1-5	P-44-1-5-EN	U-joints
21	3850815	1	• Yoke, Yoke		
22	3850813	1	• • Intermediate section		
23	3850814	1	• • Yoke, Yoke		
24	3850812	2	• • Spider		
25	3850757	4	• • Lock clip, U-joint		
26	3852310	1	• Washer, Pinion gear		
27	3852272	1	• Seal, U joint to bearing carrier		Contents of uppe^ gear housing seal kit
28	3852355	X	• Adjusting washer, Bearing carrier, 0.003 in		
	3852356	X	• Adjusting washer, Bearing carrier, 0.004 in		
	3852357	X	• Adjusting washer, Bearing carrier, 0.005 in		
	3852358	X	• Adjusting washer, Bearing carrier, 0.010 in		
29	3852308	1	• O-ring, Bearing carrier		Contents of uppe^ gear housing seal kit
30	3852454	4	• Screw, Bearing carrier		
31	3852565	2	• O-ring, U joint		
32	3852390	2	• Needle bearing, Drive gear		
33	3852279	1	• Gasket, Water passage		Contents of uppe^ gear housing seal kit
34	3852295	1	• Lock ring, Upper driveshaft		
35	3852299	1	• Snap ring, Spring		
36	3852304	1	• Sleeve, Pretension		
37	873312	1	• Sliding sleeve		
			• Bulletin P-44-1-8	P-44-1-8-EN	Shift mechanism, shift cone and shoe
38	3852292	1	• Shaft, Upper		
39	3852262	1	• Retainer, Bearing retainer		
40	3852373	4	• Screw, Water passage		
41	3852389	2	• Ball bearing, Drive gear		
42	3852368	X	• Adjusting washer, Lower bearing, 0.002 in		
	3852369	X	• Adjusting washer, Lower bearing, 0.003 in		
	3852370	X	• Adjusting washer, Lower bearing, 0.004 in		
	3852371	X	• Adjusting washer, Lower bearing, 0.005 in		
	3852372	X	• Adjusting washer, Lower bearing, 0.010 in		
43	3852368	X	• Adjusting washer, Upper cover, 0.002 in		
	3852369	X	• Adjusting washer, Upper cover, 0.003 in		
	3852370	X	• Adjusting washer, U er cover, 0.004 in		
	3852371	X	• Adjusting washer, Upper cover, 0.005 in		
	3852372	X	• Adjusting washer, Upper cover, 0.010 in		
44	3852301	X	• Nut, Upper driveshaft, 0.000 in		
	3852302	X	• Nut, Upper driveshaft, 0.008 in		
	3852303	X	• Nut, Upper driveshaft, 0.016 in		
	3852375	X	• Nut, Upper driveshaft, 0.024 in		
45	3852298	1	• Washer, Spring		

UPPER GEAR UNIT

REF	PART NO.	QTY	DESCRIPTION	SEE SEC.	NOTES
46	3852307	1	· Lock ring, Seal		
47	3852309	1	· Screw, Pinion gear retainer		
48	3850852	1	· Bearing, Pinion to inner carrier		
49	3850853	1	· Bearing, Pinion to outer carrier		
50	3852296	1	· Spring, Clutch cone to shaft		
51	3854539	1	· Plug, Oil plug		
52	3855081	1	O-ring, Oil plug		Contents of uppe^ gear housing seal kit
53	3852563	X	· Adjusting washer, Thrust plate, 0.015 in		
54	3852561	1	· Thrust plate, Thrust, port		
55	3852562	1	· Thrust plate, Thrust, starboard		
56	3854401	1	· Bearing cover, Upper gear unit		
57	3852513	2	· · Thread insert, Threaded, 5/16-18		
58	3854021	1	· Strainer, Oil sump		
59	839504	1	· Shift mechanism		
60	814603	1	· · Dog		
61	814184	1	· · Spring, Shift shoe		
62	925093	1	· · O-ring, Shift actuator		Contents of uppe^ gear housing seal kit
63	873291	1	· · Sealing ring, Shift actuator		
64	853868	1	· · Sealing ring, Shift actuator		Contents of uppe^ gear housing seal kit
65	951924	1	· · Tensioning din, Tension		
66	942871	1	· · Pin, Eccentric piston		
67	897816	1	· · Eccentric piston		
			· · Bulletin P-44-1-7	P-44-1-7-EN	Shift mechanism, eccentric piston
68	897871	X	· · Adjusting washer, Shift shoe		
69	897711	1	· · Screw, Shift shoe stop		
70	3852276	1	· Gear yoke, Shift		
71	3852329	1	· Cube, Cable to bellcrank		
72	3852328	1	· Fork, Shift link		
73	3852278	1	· Link rod, Bellcrank to piston		
74	3854480	3	· Pin		
75	3852277	1	· Pin, Bellcrank		
76	3852330	1	· Clevis pin, Shift link to piston		
77	3852353	4	· Screw, Shift housing		
78	3852184	1	· Washer, Shift		
79	3852193	2	· Washer, Bellcrank		
80	3852083	2	· Washer, Shift link		
81	3852280	1	· Plate, Waterpassage		
82	3855356	1	· Decal, Cover		
83	3852418	1	· Cover, Shift mechanism		
84	3852568	3	· Screw, Cover		
85	3852294	1	· Ring, Spacer		
86	3854480	1	· Pin, Shift cable		
87	3853423	2	Bushing, Pivot pin		
88	3853329	6	Nut, Drive to pivot housing		
89	3853424	2	Grommet, Pivot pin bushing		
90	3850594	1	Sealing kit		
91	3852560	1	Seal, Water passage		Contents of uppe^ gear housing seal kit
92	3855357	2	Decal, SX, port & starboard		
	3810106	1	Lubricating oil, 12 U.S. quarts		
	3810107	1	Lubricating oil, 4 U.S. gallons		
	3810108	1	Lubricating oil, 1 U.S. five gallon pail		