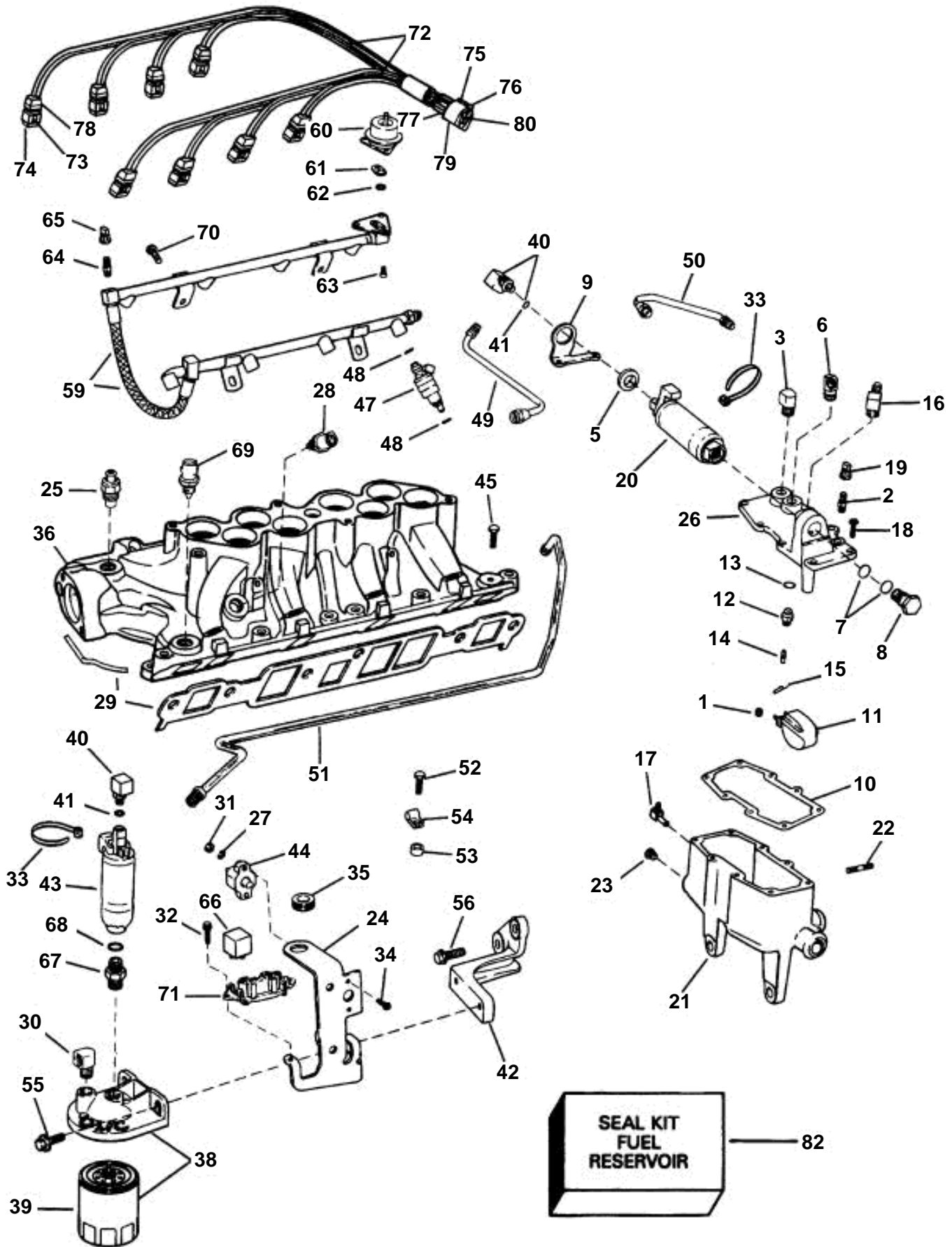


FUEL SYSTEM & LOWER INTAKE MANIFOLD, Fi / FSi



FUEL SYSTEM & LOWER INTAKE MANIFOLD, Fi / FSi

REF	PART NO.	QTY	DESCRIPTION	NOTES
1	3852034	1	Retainer, Float pin	Contents of Fuel Reservoir Seal Kit
2	3854152	1	Valve, Pressure, reservoir	
3	3852453	1	Fitting, Cover, return line	
5	3852481	1	Grommet, Fuel pump, reservoir	
6	3852506	1	Fitting, Pump to reservoir	
7	3853642	2	O-ring, Retainer, fuel pump	Contents of Fuel Reservoir Seal Kit
8	3853572	1	Hollow screw, Fuel pump to cover	
9	3853573	1	Bracket, Fuel pump grommet	
10	3853574	1	Gasket, Cover, reservoir	Contents of Fuel Reservoir Seal Kit
11	3853575	1	Float, Reservoir	
12	3853576	1	Seat, Float needle	Contents of Fuel Reservoir Seal Kit
13	3853577	1	Gasket, Float needle seat	Contents of Fuel Reservoir Seal Kit
14	3853578	1	Needle, Float	Contents of Fuel Reservoir Seal Kit
15	3853579	1	Clip, Needle to float	
16	3853597	1	Elbow, Vent, reservoir to intake	
17	3852480	1	Riser, Reservoir to thermostat	
18	3853606	8	Screw, Cover to reservoir	
19	3853616	1	Protective cap, Pressure valve	
20	3854280	1	Fuel pump, High pressure	
21	3854149	1	Tank	
22	3852093	1	· Stud, Oil cooler bracket	
23	3852167	1	· Plug, Reservoir drain-	
24	3853544	1	Bracket, Support	
25	3854711	1	Breaker, Water temperature	5.0 liter models
	3854710	1	Breaker, Water temperature	5.8 liter models
26	3854405	1	Cover, Reservoir	
27	3852001	2	Lock washer, Circuit breaker	
28	3854158	1	Sender, Air charge temperature	
29	3854406	1	Gasket kit, Intake manifold	5.0 liter models
	3853913	1	Gasket kit, Intake manifold	5.8 liter models
30	3852013	1	Riser, Fuel inlet	
31	3852064	1	Nut, Circuit breaker	
32	3852208	1	Screw, Relay to support	
33	3852158	2	Lock strap, Cable	
34	3853620	2	Screw, Circuit breaker	
35	3852481	1	Grommet, Fuel pump bracket	
36	3854301	1	Inlet pipe	5.0 liter models
	3853769	1	Inlet pipe	5.8 liter models
38	3850861	1	Cover	
39	3851218	1	· Fuel filter	
40	3853545	2	Fitting, Fuel pump	
41	3850820	1	· O-ring, Fitting	Contents of Fuel Reservoir Seal Kit
42	3853570	1	Bracket, Fuel pump & filter	
43	3854902	1	Fuel pump, Low pressure	
44	3854163	1	Breaker, 20A Fuel pump	
45	3853036	1	Screw, Intake manifold	
47	3854136	8	Injector, Fuel (5.8 Fi)	
	3850925	8	Injector, Fuel (5.8 FSi)	
48	3853733	16	· O-ring, Fuel injector	
49	3854142	1	Fuel line, Reservoir to fuel rail	5.0 liter models
	3854154	1	Fuel line, Reservoir to fuel rail	5.8 liter models
50	3854143	1	Fuel line, Regulator to reservoir	5.0 liter models
	3854155	1	Fuel line, Regulator to reservoir	5.8 liter models
51	3854140	1	Fuel line, Fuel pump to reservoir	5.0 liter models
	3854165	1	Fuel line, Fuel pump to reservoir	5.8 liter models
52	3852043	1	Screw, Clamp & spacer, fuel line	
53	3853617	1	Sleeve, Fuel line to valve cover	
54	3852231	1	Clamp, Fuel line to valve cover	
55	3853266	1	Screw, Fuel filter bracket	
56	3853558	1	Screw, Bracket to head	
59	3854141	1	Fuel line, Fuel	5.0 liter models
	3854153	1	Fuel line, Fuel	5.8 liter models
60	3854237	1	· Regulator	
61	3853737	1	· · Gasket, Pressure regulator	

7797017 - - 0-0012

GR999911

Upd: 21 MAR 2006

HU 5.0 FL, 5.8 FL; 5.0 Fi, 5.8 Fi; 5.8 Fsi

VOLVO
PENTA

FUEL SYSTEM & LOWER INTAKE MANIFOLD, Fi / FSi

REF	PART NO.	QTY	DESCRIPTION	NOTES
62	3853738	1	· · O-ring, Pressure regulator	
63	3853739	3	· · · Screw, Pressure regulator	
64	3854152	4	· Valve, Pressure	
65	3853616	1	· Protective cap, Pressure valve	
66	3852259	1	Relay, Fuel pump	
67	3853493	1	Fitting, Filter outlet to pump	
68	3850819	1	· O-ring, Fitting	
69	3854159	1	Sender, Coolant temperature	
70	3852213	4	Screw, Fuel rail assy	
71	3852210	1	Bracket, Relay	
72	3854150	1	Cable harness, Fuel injectors	
73	3853680	8	· Connector, Injector	
74	3853679	16	· Cable terminal, Injector	
75	3853708	1	· Connector	
76	3853709	1	· Retainer, Connector	
77	3853710	1	· Cable terminal	
78	3853711	8	· Cable sleeve	
79	3852230	1	· Plug	
80	3853740	8	· Cable terminal	
82	3850374	1	Sealing kit, Fuel reservoir	