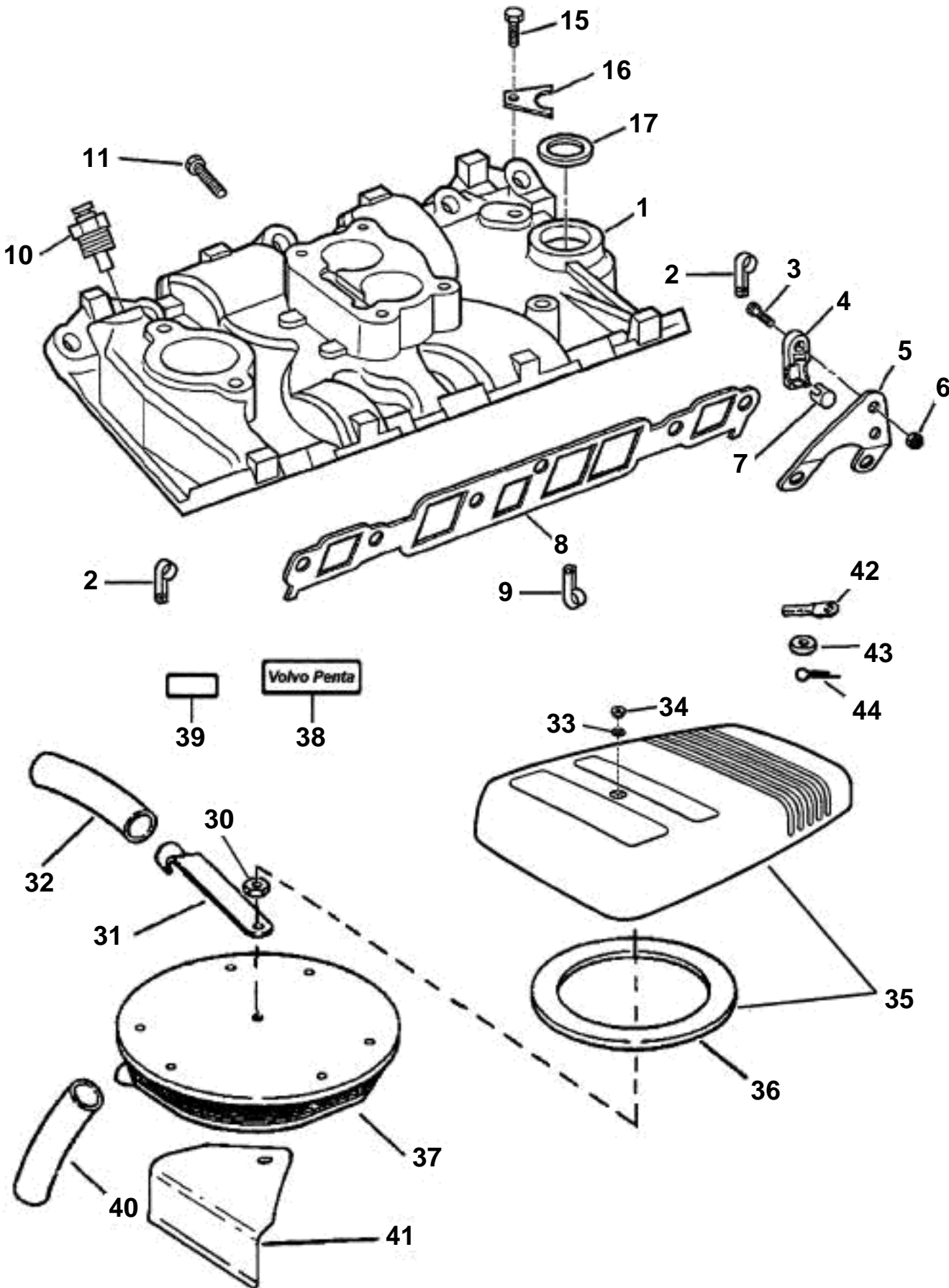


INTAKE MANIFOLD



# INTAKE MANIFOLD

REF	PART NO.	QTY	DESCRIPTION	NOTES
1	3855805	1	Manifold, 2V	
	3855806	1	Inlet pipe, 4V	TBI
2	3852092	2	Clamp, Engine cable to lift bracket	
3	3852048	1	Screw, Anchor, throttle cable to bracket	
4	3850266	1	Anchorage, Throttle cable	
5	3857411	1	Bracket, Throttle cable to engine	GUGS
	3855509	1	Bracket, Throttle cable to engine	Gi
6	3852118	1	Nut, Anchor, throttle cable to bracket	
7	3852019	1	Retainer, Throttle cable	
8	3855807	1	Gasket kit, Intake manifold	
9	3852434	3	Clamp, Engine cable to manifold	
10	872068	1	Sender, Water temperature, dual station	
	3852029	1	Sender, Water temperature	
11	3856765	8	Screw, Intake manifold	
15	3856129	1	Screw, Distributor clamp	
16	3852108		Clamp, Distributor to engine	As required
17	3852109	1	Gasket, Distributor	
30	3853561	1	Nut, Flame arrestor to TBI, carb	
31	3852695	2	Connector, Hose, check valve	Late
32	3852668	2	Hose, Check valve	Cut to length; late
33	3852007	1	Washer, Flame arrestor cover	
34	3852749	1	Nut, Flame arrestor cover	
35	3850510	1	Cover, Flame arrestor	
36	3850458	1	· Spacer	
37	3856862	1	Flame trap	GL,GS
	3856913	1	Flame trap	Gi
38	3854980	1	Decal, Volvo Penta	
39	3854982	1	Decal, 4.3 GL	
	3854983	1	Decal, 4.3 GS	
	3854984	1	Decal, 4.3 Gi	
40	3852668	1	Hose, Elbow to carb, adapter	Cut to length
41	3854916	1	Deflector	Gi
42	3850941	1	Adapter, Throttle cable	
43	3852193	1	Washer, Throttle anchor	
44	3852052	1	Cotter pin, Throttle anchor	