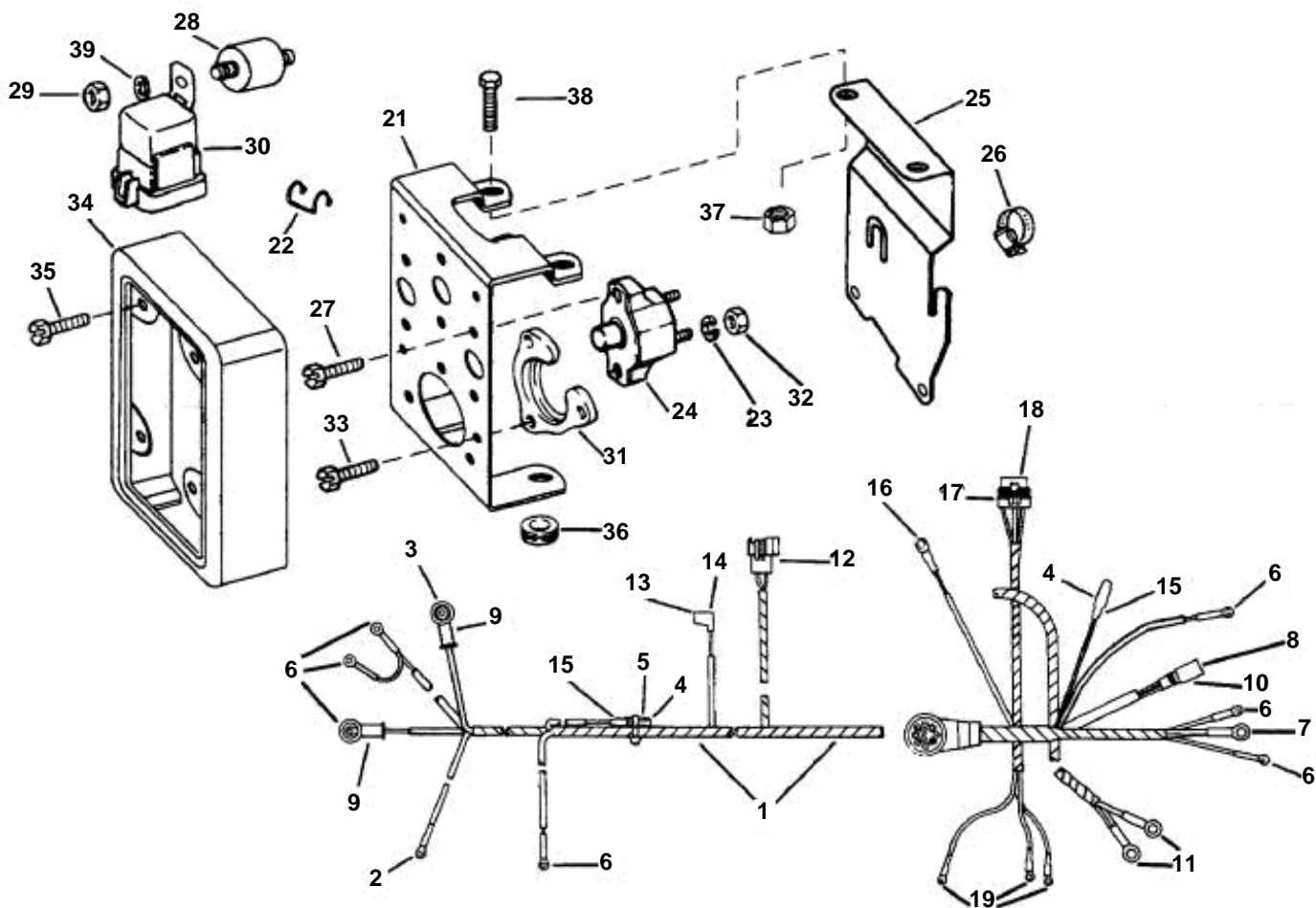


WIRE HARNESS, BRACKET, & SOLENOID



WIRE HARNESS, BRACKET, & SOLENOID

REF	PART NO.	QTY	DESCRIPTION	NOTES
1	3857853	1	Cable harness	
2	3852036	1	· Cable terminal, #10	
3	3852038		· Cable terminal, 0.25	As required
4	3852244	2	· Cable terminal, Socket	
5	3852181	2	· Cap	
6	3852233	7	· Cable terminal, 10	
7	3852037	1	· Cable terminal, Battery	
8	3852229		· Cable terminal, Pin, trim sender	As required
9	3852130	1	· Rubber cap, Alternator	
10	3852249	1	· Connector, 2 cont receptacle	
11	3852527		· Cable terminal, 0.375	As required
12	3853974	1	· Cable, W/RINGS	
13	3852084		· Cable terminal, Side receptacle	As required
14	3853320	1	· Cover	
15	3852248	2	· Cable sleeve, Socket, blue	
16	3852235	1	· Cable terminal, #10	
17	3854192		· Connector	As required
18	3852254	4	· Cable terminal, Receptacle	
19	3852245	3	· Cable terminal, #10	
21	3856186	1	Bracket, Connector & relay	
22	3852237	1	Retainer, Amphenol. trim sender, 2 terminal	
23	3852001	2	Lock washer, Circuit breaker terminals	
24	3854164	1	Fuse, 50A, tilt & trim	
	3854164	1	Fuse, 50A, engine	
25	3857175	1	Bracket, Lift & circuit breaker	
26	3853786	1	Clamp, Instrument cable connector	
27	3853620	4	Screw, Circuit breaker to bracket	
28	3850234	1	Isolation, Relay mounting	
29	3852118	1	Nut, Relay isolator to electrical bracket	
30	3854138	1	Relay, Starter motor	
31	3852825	1	Retainer, Engine cable	
32	3852064	4	Nut, Circuit breaker terminals	
33	3852208	3	Screw, Retainer	Eng. cable enl to brkt
34	3856764	1	Cover, Bracket	
35	3855938	4	Screw, Bracket cover	
36	941263	2	Grommet, Bracket	
37	3857181	2	Flange lock nut, Bracket	
38	3853266	2	Screw, Circuit breaker bracket	
39	3852182	1	Lock washer, Isolator	