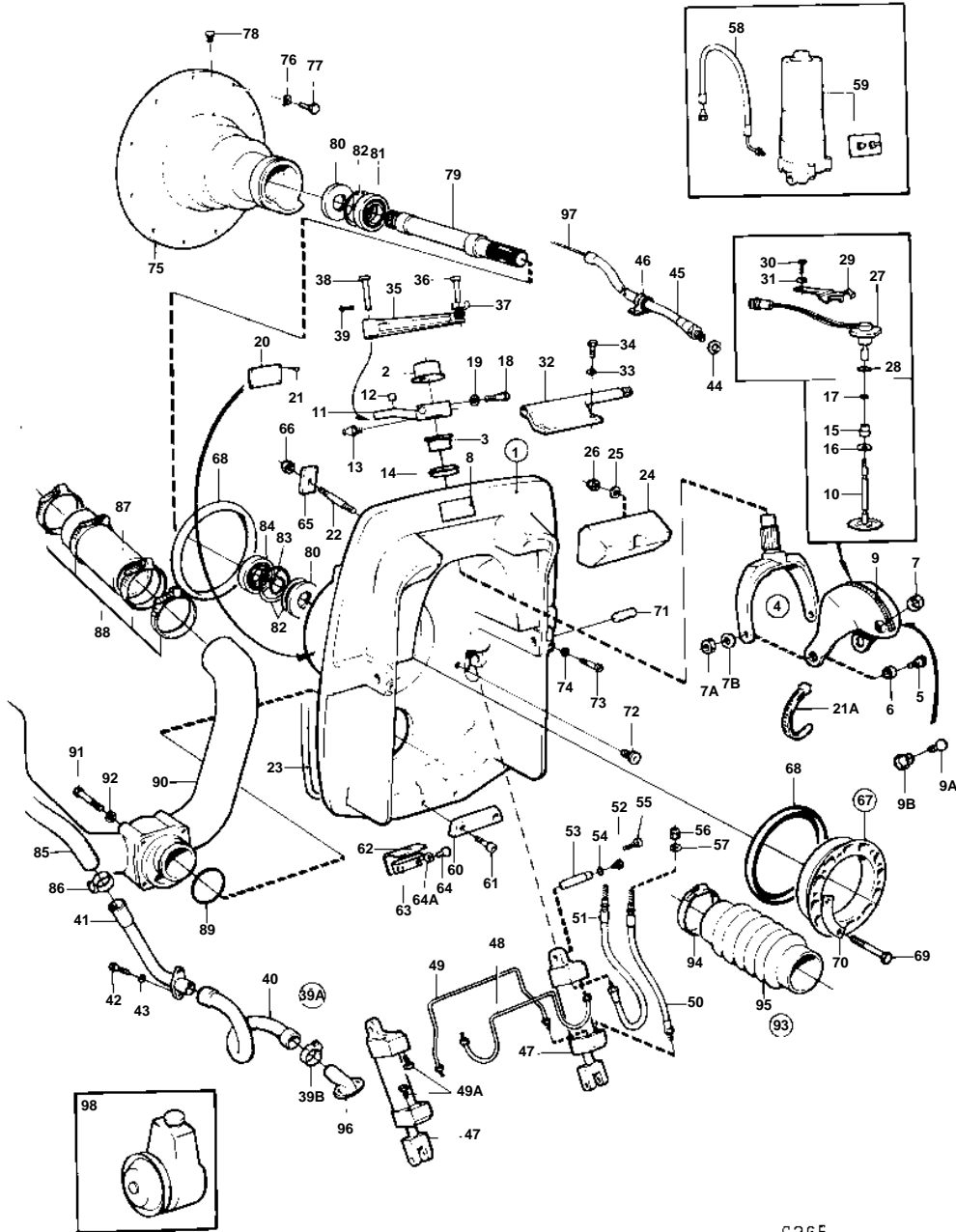


AQ271A,AQ271C



9265

AQ271A,AQ271C

REF	PART NO.	QTY	DESCRIPTION	SEE SEC.	NOTES
1	876150	1	Transom shield		
2	853863	2	• Bushing		
3	853864	2	• Bushing		
4	852950	1	• Steering fork kit		
5		2	• • SHOUTER SCREW		
6		2	• • BUSHING		
7	853048	1	• • Bushing		
7A		1	• • NUT		
7B		1	• • WASHER		
8	852827	1	• Sign		
9	853758	1	• Gear segment		REPL BY 854063
9A	853759		• Screw		
9B	853760		• Rivet nut		
10	852984	1	• Drive gear		
11	853017	1	• Spindle arm		
12	949368	1	• • Bushing		
13	914169	1	• Lubricating nipple		
14	839195	1	• Ring		
			• Bulletin 48-23	48-23-EN	Seal Ring
15	851430	1	• Bushing		
16	966207	1	• Sealing ring		
17	925050	1	• O-ring		
18	959241	1	• Screw		
19	942336	1	• Spring washer		
20	853706	1	• Type plate		
21	804269	2	• Drive screw		
21A	949668	1	Strip clamp		SERIAL NO 315092-
22	853982	6	Stud		(853726)
23	852868	1	Sealing strip		
24	854133	1	Rubber cushion		
25	960148	2	Washer		
26	971089	2	Lock nut		(963107)
27	828726	1	Potentiometer		
28	955991	1	O-ring		
29	853039	1	Bracket		
30	940199	1	Screw		
31	941907	1	Spring washer		
32	852775	1	Cable attachment		
33	941908	2	Spring washer		
34	955320	2	Screw		
35	852786	1	Link rod		
36	913158	1	Clevis pin		
37	853160	1	Lock washer		
38	852788	1	Clevis pin		
39	907861	1	Cotter pin		
39A	875847	1	Hose kit		
39B	853548	1	• Hose clamp		
40	875847	1	• Hose kit		
41	852771	1	Tube		
42	940100	2	Screw		
43	941906	2	Spring washer		
44	897745	1	Gasket		
45	839091	1	Hose		
46	952635	1	Clamp		
47	852755	2	Trimming cylinder		PZ-29003011. REPLACED BY KIT 876041 (2EA 853308,2EA 853309, 1EA 853310,1EA 853439).
	853439	2	Hydraulic cylinder		PZ29003012-
48	852830	1	Tube		
49	852832	1	Tube		
49A	852879	2	Plug		
50	853709	1	Hose		
51	853708	1	Hose		

AQ271A,AQ271C

REF	PART NO.	QTY	DESCRIPTION	SEE SEC.	NOTES
52	852879	2	Plug		
53	852748	2	Pin		
54	925053	4	O-ring		
55	853060	2	Flange screw		
56	853100	2	Nut		
57	853059	2	Washer		
58	852839	2	Hose	04A-0500	
59		1	HYDRAULIC PUMP AND TRIM INSTRUMENT WITH INSTALLATION COMPONENTS	04A-0500	
60	852835	1	Zinc electrode		
61	946541	2	Screw		
62	852877	1	Check valve		
63	852878	1	Attaching plate		
64	963545	2	Screw		
64A	941670	2	Washer		
65	852866	6	Washer		
66	963108	6	Nut		
67	806310	1	Clamping ring		
68	804190	2	· Rubber ring		
69	191844	6	· Screw		
70	806624	3	· Striker plate		
71	853175	2	Pivot pin		
72	853215	2	Plug		
73	963699	2	Screw		
74	941670	2	Washer		
75	841967	1	Flywheel housing		SEE GROUP 2A
76		11	RESILIENT WASHER		SEE GROUP 2A
77		11	SCREW		SEE GROUP 2A
78	914167	1	Lubricating nipple		
79	853809	1	Shaft		SERIAL NO 74204-
80	958860	2	Sealing ring	IK	
81	11013	1	Ball bearing		
82	914533	3	Snap ring		
83	914462	1	Lock ring		
84	181105	1	Ball bearing		
85	855373	1	Hose		
86	961669	4	Hose clamp		
87	855388	2	Hose		SEE GROUP 2B
88	853012	8	Hose clamp		SEE GROUP 2B
89	925260	1	O-ring	IK	
90	852846	1	Exhaust grommet		
91	955328	4	Screw		
92	960148	4	Washer		
93	875848	1	Bellows kit		
94	961675	2	· Hose clamp		
95		1	· RUBBER BELLOW		
96	851766	1	Hose connection		REPL BY 854031
					SEE GROUP 4C
97		X	CONTROL CABLE		SEE GROUP 9
98		X	POWER STEERING		SEE GROUP 6
		X	ROTO PILOT		SEE GROUP 6