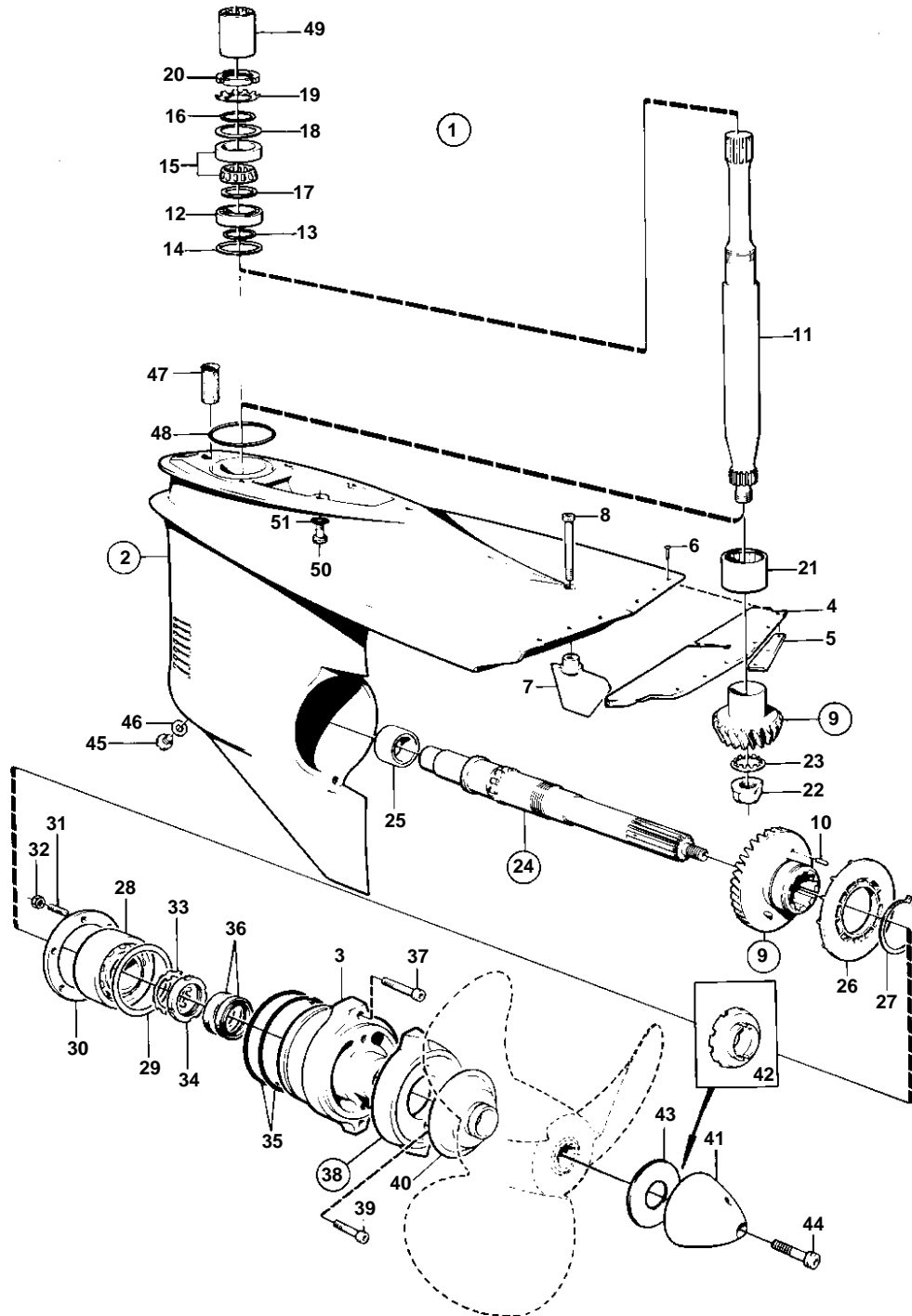


DRIVE 280 L, DRIVE 290



7197

DRIVE 280 L,DRIVE 290

| REF | PART NO. | QTY | DESCRIPTION | NOTES |
|-----|----------|-----|---------------------|--------------|
| 1 | 851875 | 1 | Gear under | RATIO 1,61:1 |
| 2 | 851877 | 1 | · Housing | |
| 3 | 839389 | 1 | · · Bearing housing | |
| 4 | 852644 | 1 | · · Check valve | |
| 5 | 852643 | 2 | · · Attaching plate | |
| 6 | | 6 | · · RIVET | |
| 7 | 851452 | 1 | · Steering fin | |
| 8 | 959440 | 1 | · Screw | |
| 9 | 832624 | 1 | · Gear set | RATIO 1,61:1 |
| 10 | 948407 | 1 | · · Spring pin | |
| 11 | 832555 | 1 | · Countershaft | |
| 12 | 183374 | 1 | · Ball bearing | |
| 13 | 941832 | X | · Adjusting washer | TH = 0,05 MM |
| | 941833 | X | · Adjusting washer | TH = 0,20 MM |
| 14 | 832191 | 1 | · Gasket | IK |
| 15 | 11072 | 1 | · Roller bearing | |
| 16 | 897387 | 1 | · Spacer ring | |
| 17 | 944970 | X | · Adjusting washer | TH = 1,60 MM |
| 18 | 944522 | X | · Shim | TH = 0,05 MM |
| | 42981 | X | · Shim | TH = 0,10 MM |
| | 968057 | X | · Shim | TH = 0,20 MM |
| | 42980 | X | · Shim | TH = 0,35 MM |
| 19 | 907023 | 1 | · Lock washer | |
| 20 | 906633 | 1 | · Nut | |
| 21 | 183497 | 1 | · Needle bearing | |
| 22 | 814164 | 1 | · Flange nut | |
| 23 | 814165 | 1 | · Washer | IK |
| 24 | 875524 | 1 | · Driveshaft | |
| 25 | 183390 | 1 | · · Needle bearing | |
| 26 | 832548 | 1 | · Pump rotor | |
| 27 | 914474 | 1 | · Lock ring | |
| 28 | 181366 | 1 | · Ball bearing | |
| 29 | 944561 | X | · Adjusting washer | TH = 0,05 MM |
| | 944562 | X | · Adjusting washer | TH = 0,10 MM |
| | 851767 | X | · Adjusting washer | TH = 0,20 MM |
| 30 | 832725 | 1 | · Washer | |
| 31 | 953449 | 6 | · Stud | |
| 32 | 955825 | 6 | · Nut | |
| 33 | 907025 | 1 | · Lock washer | IK |
| 34 | 906635 | 1 | · Round nut | |
| 35 | 925261 | 2 | · O-ring | IK |
| 36 | 897426 | 2 | · Sealing ring | IK |
| 37 | 941812 | 2 | · Screw | |
| 38 | 875815 | 1 | · Zinc ring kit | IK |
| 39 | 941809 | 2 | · · Screw | IK |
| 40 | 839423 | 1 | · Line cutter | |
| 41 | 850785 | 1 | · Propeller cone | |
| 42 | 851261 | 1 | · Washer | |
| 43 | 850888 | 1 | · Washer | |
| 44 | 850889 | 1 | · Screw | |
| 45 | 839354 | 1 | · Plug | |
| 46 | 955974 | 1 | · O-ring | IK |
| 47 | 814482 | 1 | · Oil pump screen | |
| 48 | 925256 | 1 | O-ring | IK |
| 49 | 850304 | 1 | Splined sleeve | |
| 50 | 941810 | 4 | Screw | |
| 51 | 853095 | 4 | Washer | |