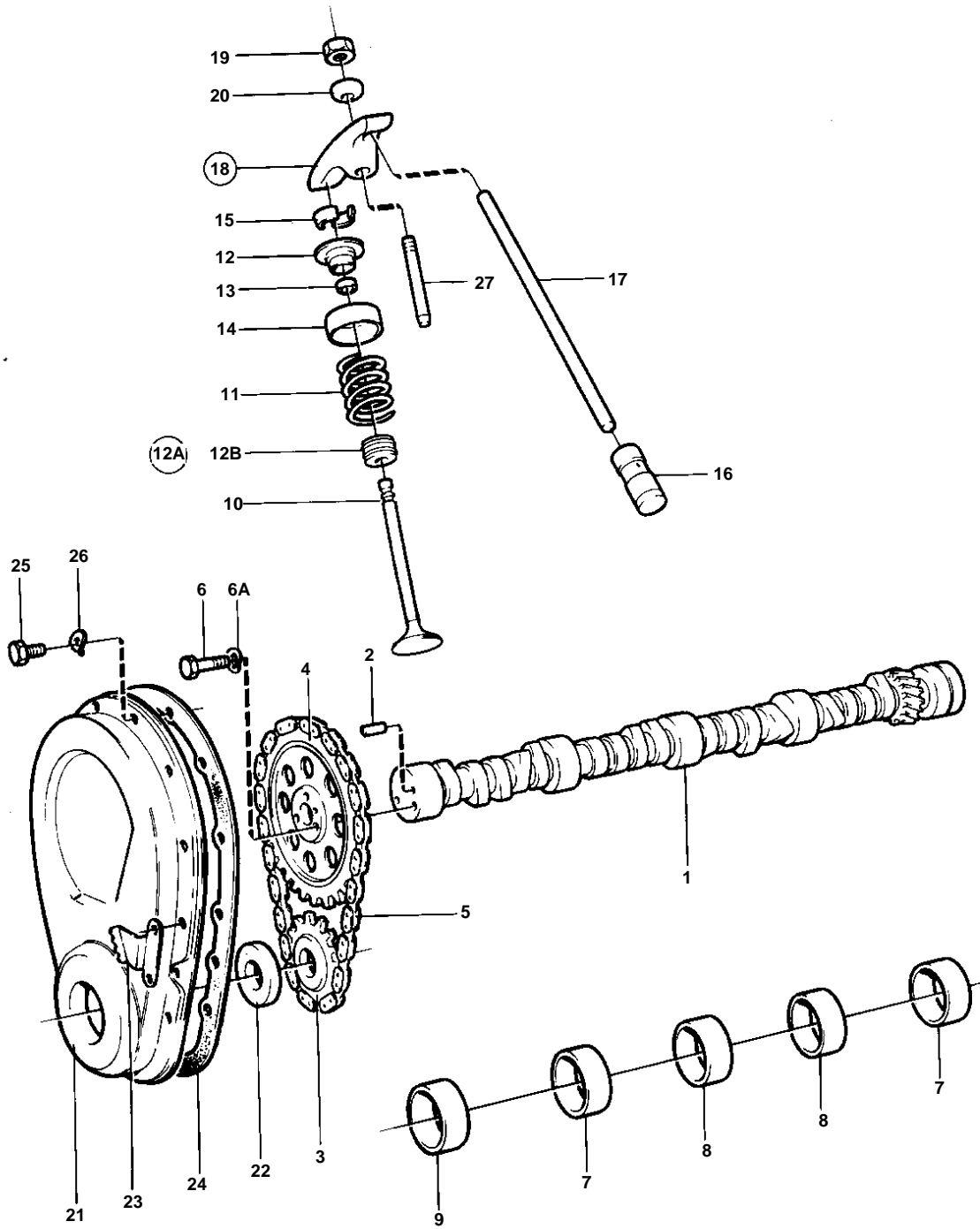


AQ231B



7210

AQ231B

REF	PART NO.	QTY	DESCRIPTION	SEE SEC.	NOTES
1	835465	1	Camshaft		
2	835040	1	· Locating pin		
3	856069	1	Sprocket		
4	856068	1	Sprocket		
5	856070	1	Camshaft chain		
6	940135	3	Hexagon screw		
6A	941907	3	Spring washer		
7	841423	2	Bushing		INCL.IN CYLINDERBLOCK.
8	841424	2	Bushing		INCL.IN CYLINDERBLOCK.
9	841422	1	Bearing		INCL.IN CYLINDERBLOCK.
10	835541	8	Exhaust valve		THICK VALVE ROD, 9,45MM., STD
	841372	8	Exhaust valve		THICK VALVE ROD, 9,45MM., OVER SIZE 0,015"
	841860	8	Inlet valve		STD
		8	Inlet valve		OVER SIZE 0,015"
		8	Valve		OVER SIZE 0,030"
11	835102	16	Spring		
12	855825	8	Valve spring washer		FOR EXHAUST VALVE.
	841782	8	Valve spring washer		
12A	855564	1	Sealing kit		INLET
12B		8	· SEAL		
13		16	· OIL SEAL		
14	841781	16	Shield		
15	835401	32	Valve collet		
16	835089	16	Tappet		
17	841941	16	Push rod		
18	856421	16	Rocker arm		(835090)
19	841198	16	· Nut		
20	841199	16	· Ball		
21	856422	1	Timing gear casing		(856075) (841749)
22	856665	1	· Sealing ring		(835386)
23	841038	1	Setting indicator		
24	856663	1	Gasket		
25	841426	10	Screw		
26	941906	10	Spring washer		
27	835108	16	Stud	17467	
	841779	16	Stud		OVER SIZE 0,013"