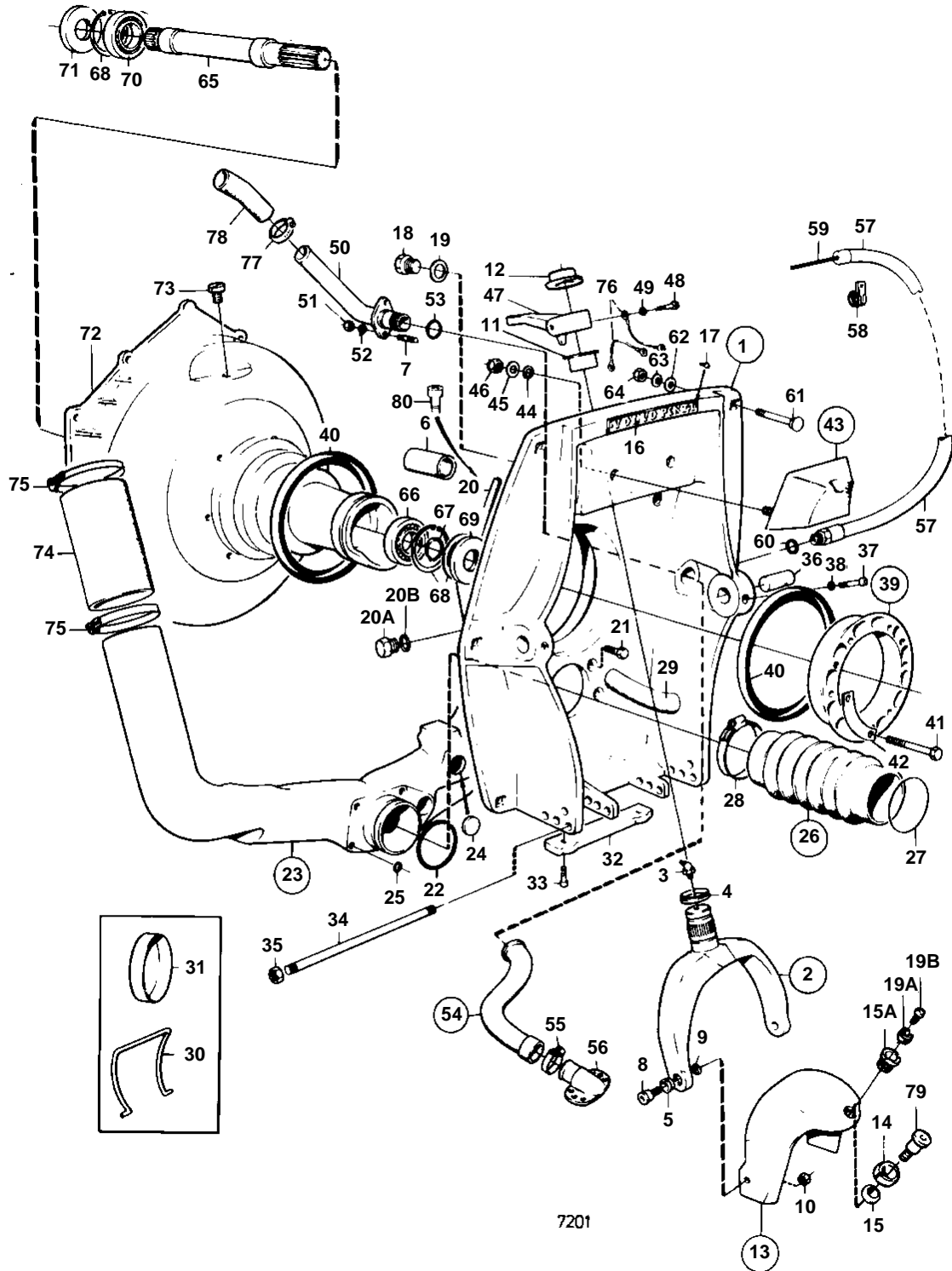


AQ225D



## AQ225D

REF	PART NO.	QTY	DESCRIPTION	SEE SEC.	NOTES
1	875635	1	Clamping ring		REPLACED BY 1EA 875672 1EA 851265 1EA 851263 2EA 941807.
	875672	1	Shield		
2	839441	1	• Steering yoke		
3	914169	1	• • Lubricating nipple		
4	839195	1	• • Ring	IK	
			• • Bulletin 48-23	48-23-EN	Seal Ring
5	814640	2	• • Bushing		
6	850653	1	• Bushing		
7	941872	2	• Stud		
8	897798	2	• Shoulder screw		
9	897244	2	• Washer		
10	943152	2	• Nut		
11	853861	1	• Bushing		LOWER
			• Bulletin 48-23	48-23-EN	Seal Ring
12	853862	1	• Bushing		UPPER
			• Bulletin 48-23	48-23-EN	Seal Ring
13	839592	1	• Protective helmet		EARLY TYPE
	851267	1	• Protective helmet		LATE TYPE
14	839698	1	• • Bushing		EARLY TYPE
15	839697	1	• • Bushing		EARLY TYPE
15A	853048	1	• • Bushing		LATE TYPE. FOR BEARING TAP WITH TWO BOLTS.
16	832608	1	• Sign		
17	804269	2	• Drive screw		
18	897744	1	• Plug		EARLY TYPE
19	897745	1	• Gasket		EARLY TYPE
19A	852705	1	Pivot pin		LATE TYPE, SEE GROUP 4C
19B	941807	2	Screw		LATE TYPE, SEE GROUP 4C
20	897726	1	Sealing strip		
20A	897744	1	Plug		
20B	897745	1	Gasket		
21	959967	4	Screw		
22	925256	1	O-ring	IK	
23	826443	1	Grommet		
24	941399	1	• Plug		
25	925055	4	O-ring		
26	875828	1	Bellows kit		
27		9	• SEAL RING		
28	961675	2	• Hose clamp		
29	843235	2	Rubber hook		
30	884937	1	Conveyer stop		(897824). FOR TRANSPORT.
31	944738	1	Plastic plug		FOR TRANSPORT.
32	832598	1	Zinc electrode		
33	959438	2	Screw		
34	814301	1	Adjuster pin		
35	814357	2	Flange nut		
36	853175	2	Pivot pin		
37	941873	2	Screw		
38	941670	2	Washer		
39	806310	1	Clamping ring		
40	804190	2	• Rubber ring		
41	191844	6	• Screw		
42	806624	3	• Striker plate		
43	875531	1	Rubber cushion		
44	832565	2	• Gasket		
45	940097	2	• Washer		
46	950364	2	• Nut		
47	850488	1	Spindle arm		SEE GROUP 6
48	955537	1	Screw		
49	940097	1	Washer		
50	850729	1	Grommet		
51	950352	2	Lock nut		
52	955893	2	Washer		

## AQ225D

REF	PART NO.	QTY	DESCRIPTION	SEE SEC.	NOTES
53	925063	1	O-ring		
54	875822	1	Hose kit		
55	853548	2	• Hose clamp		
56	851766	1	Hose connection		SEE GROUP 4C
57	839091	1	Hose		
58	952635	1	Clamp		
59		X	CONTROL CABLE		SEE GROUP 9
60	897745	1	Gasket		
61	943426	6	Screw		
62	850418	6	O-ring		
63	190878	6	Washer		
64	940176	6	Nut		
65	839425	1	Shaft		
66	181105	1	Ball bearing		
67	914462	1	Lock ring		
68	914533	3	Snap ring		
69	958860	1	Sealing ring		
70	11013	1	Ball bearing		
71	958860	1	Sealing ring		
72		1	FLYWHEEL COVER		SEE GROUP 2A
73	804262	1	Plug		SEE GROUP 2A, EARLY TYPE
	914167	1	Lubricating nipple		SEE GROUP 2A, LATE TYPE
74	834751	2	Hose		SEE GROUP 2B
75	834718	8	Hose clamp		SEE GROUP 2B
76		X	CABLE AND CABLE TERMINALS		SEE GROUP 3
77	961669	1	Hose clamp		SEE GROUP 2B
78		X	HOSE		SEE GROUP 2B
79	839696	1	Shoulder screw		EARLY TYPE SEE GROUP 4C
80	956568	2	Screw		SEE GROUP 9