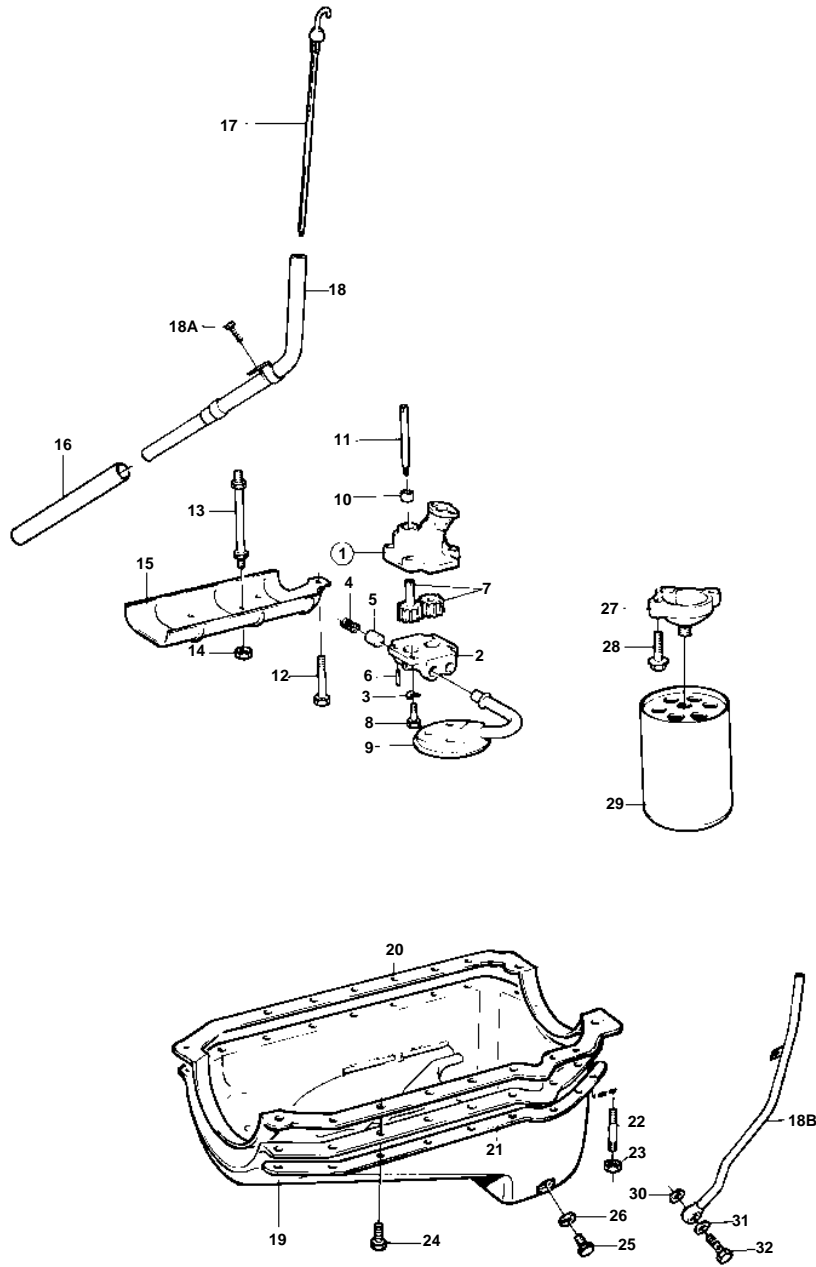


AQ211A



9360

AQ211A

| REF | PART NO. | QTY | DESCRIPTION | SEE SEC. | NOTES |
|-----|----------|-----|---------------------|-------------|---|
| 1 | 856064 | 1 | Oil pump | | OIL PUMP 856390 IS SOLD ONLY AS A COMPLETE UNIT, REPL BY 856390 |
| 2 | | 1 | · COVER | | |
| 3 | 941906 | 4 | · Spring washer | | |
| 4 | 856065 | 1 | · Spring | | |
| 5 | 835376 | 1 | · Spring | | |
| 6 | | 1 | · Spring catch | | |
| 7 | | 2 | · GEAR | | |
| 8 | 835379 | 4 | · Screw | | |
| 9 | 835372 | 1 | Oil strainer | | |
| 10 | 835374 | 1 | Sleeve | | |
| 11 | 835373 | 1 | Shaft | | |
| 12 | 955550 | 1 | Hexagon screw | | (835082) |
| 13 | 835038 | 5 | Stud | 17354 | |
| 14 | 835368 | 5 | Nut | | |
| 15 | 841734 | 1 | Baffle plate | | |
| 16 | 945460 | 1 | Tube | | L = 711 MM |
| 17 | 835414 | 1 | Oil dipstick | | |
| 18 | 841543 | 1 | Tube | | |
| 18A | 955512 | 1 | Hexagon screw | | |
| 18B | 841792 | 1 | Oil scavenging pipe | | |
| 19 | 856437 | 1 | Sump | | (855826) |
| 20 | 855819 | 1 | Gasket | | |
| 21 | 855817 | 1 | Reinforcing plate | | RIGHT SIDE |
| | 855818 | 1 | Reinforcing plate | | LEFT SIDE |
| 22 | 855808 | 8 | Stud | | |
| 23 | 855596 | 8 | Nut | | |
| 24 | 855821 | 14 | Screw | | REPL BY 940100,955893 |
| 25 | 841215 | 1 | Plug | | |
| 26 | 856295 | 1 | Gasket | | (818688) |
| 27 | 835423 | 1 | Anchorage | | |
| 28 | | 2 | Screw | | |
| 29 | 835440 | 1 | Oil filter | | |
| | | | Bulletin P-21-7-1 | P-21-7-1-EN | Oil Filters, GM gas engines |
| 30 | 856295 | 1 | Gasket | | |
| 31 | 841953 | 1 | Gasket | | |
| 32 | 954393 | 1 | Hollow screw | | |