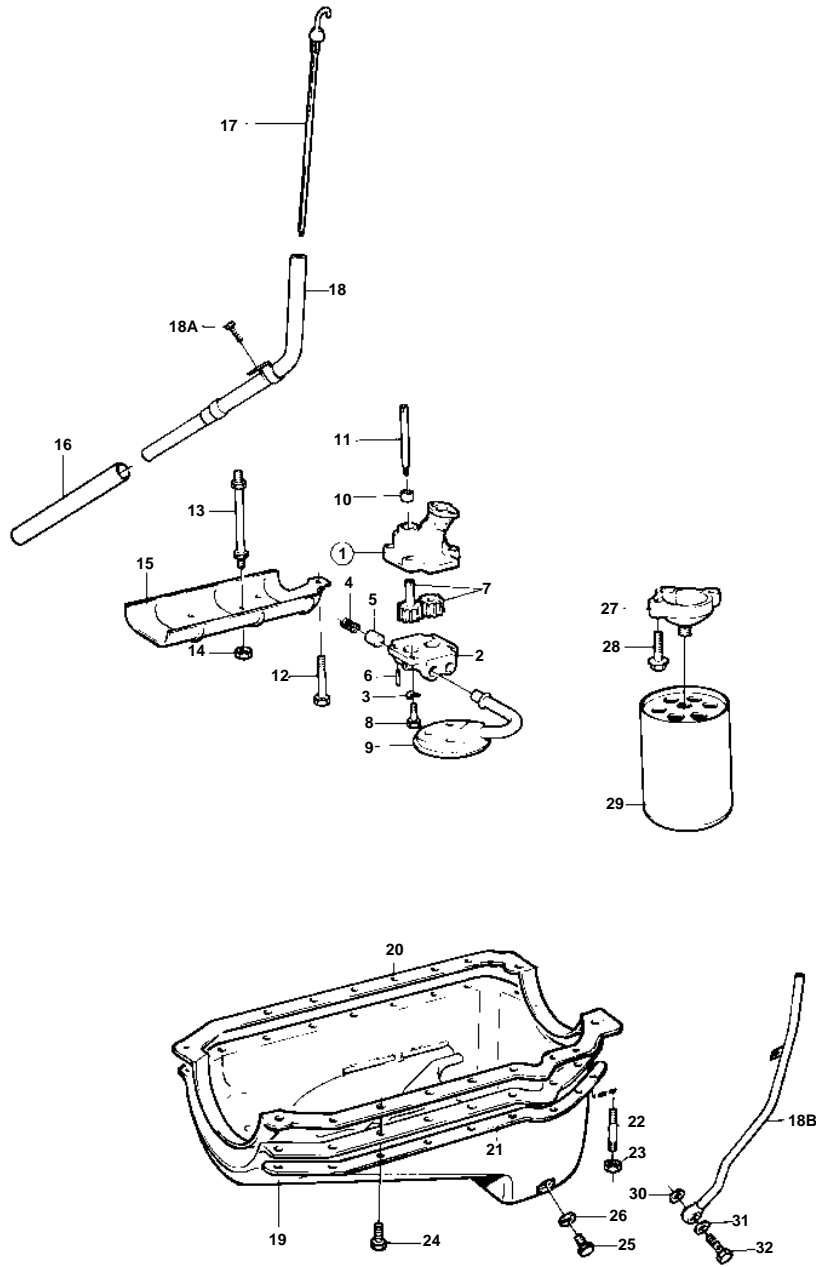


AQ211A



9360

AQ211A

REF	PART NO.	QTY	DESCRIPTION	SEE SEC.	NOTES
1	856064	1	Oil pump		OIL PUMP 856390 IS SOLD ONLY AS A COMPLETE UNIT, REPL BY 856390
2		1	· COVER		
3	941906	4	· Spring washer		
4	856065	1	· Spring		
5	835376	1	· Spring		
6		1	· Spring catch		
7		2	· GEAR		
8	835379	4	· Screw		
9	835372	1	Oil strainer		
10	835374	1	Sleeve		
11	835373	1	Shaft		
12	955550	1	Hexagon screw		(835082)
13	835038	5	Stud	17354	
14	835368	5	Nut		
15	841734	1	Baffle plate		
16	945460	1	Tube		L = 711 MM
17	835414	1	Oil dipstick		
18	841543	1	Tube		
18A	955512	1	Hexagon screw		
18B	841792	1	Oil scavenging pipe		
19	856437	1	Sump		(855826)
20	855819	1	Gasket		
21	855817	1	Reinforcing plate		RIGHT SIDE
	855818	1	Reinforcing plate		LEFT SIDE
22	855808	8	Stud		
23	855596	8	Nut		
24	855821	14	Screw		REPL BY 940100,955893
25	841215	1	Plug		
26	856295	1	Gasket		(818688)
27	835423	1	Anchorage		
28		2	Screw		
29	835440	1	Oil filter		
			Bulletin P-21-7-1	P-21-7-1-EN	Oil Filters, GM gas engines
30	856295	1	Gasket		
31	841953	1	Gasket		
32	954393	1	Hollow screw		