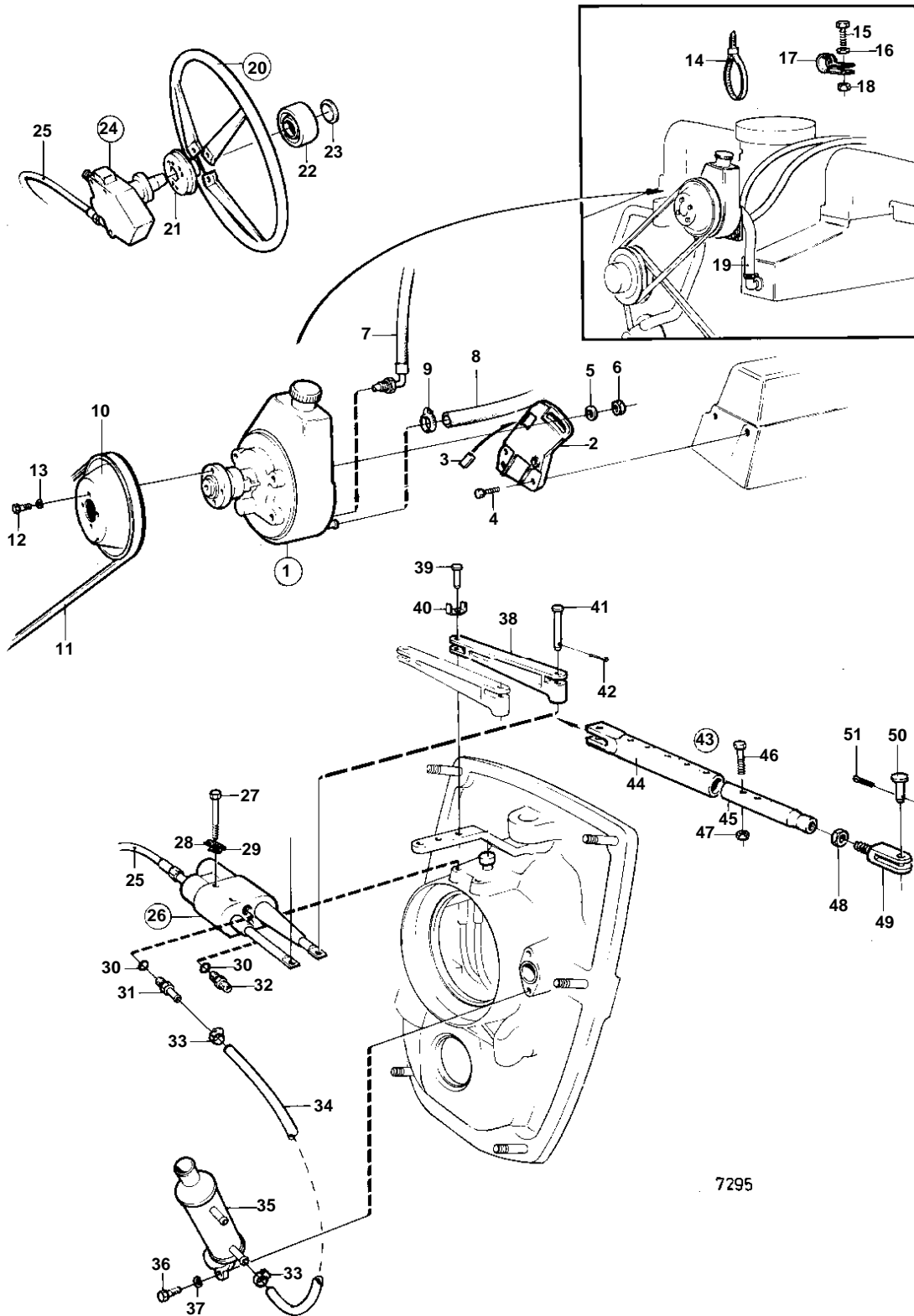


AQ200D, AQ200F



7295

AQ200D, AQ200F

REF	PART NO.	QTY	DESCRIPTION	SEE SEC.	NOTES
1	838310	1	Power steering pump	17124	
	855860	1	Power steering pump	17124	
2		1	Bracket		
3	855868	1	Support plate		
4	955535	3	Hexagon screw		
5		2	Washer		
6	963107	2	Lock nut		
7	855270	1	Pressure hose		EARLY TYPE
	853454	1	Hose		LATE TYPE
8	838311	X	Return hose		L = 1800 MM
9	961664	1	Hose clamp		
10	855353	1	Pulley		
11	966387	1	V-belt		L = 1050 MM
12	955293	4	Hexagon screw		
13	941907	4	Spring washer		
14	948210	X	Cable tie		
15	955512	1	Hexagon screw		
16	955893	1	Washer		
17	949386	1	Clamp		
18	955825	1	Hexagon nut		
19	952970	X	Hose		L = 500 MM
20	850936	1	Steering wheel		
21		1	· Steering wheel pad		
22		1	· Emblem		
23	853160	1	· Lock washer		
24	850809	1	Steering head	17125	
25	853185	X	Steering cable		L = 3000 MM
	850811	X	Steering cable		L = 3300 MM
	853188	X	Steering cable		L = 3750 MM
	853189	X	Steering cable		L = 4000 MM
	853190	X	Steering cable		L = 4250 MM
	850815	X	Steering cable		L = 4500mm
	850816	X	Steering cable		L = 4800 MM
	853193	X	Steering cable		L = 5000 MM
	853194	X	Steering cable		L = 5500mm
	853195	X	Steering cable		L = 6000 MM
	828866	X	Steering cable		L = 6750 MM
	853287	X	Steering cable		L = 7900 MM
	853288	X	Steering cable		L = 8500mm
26		1	Steering cylinder · Repair kit		
27	968247	2	Hexagon screw		
28	853254	2	Striker plate		
29	941908	2	Spring washer		
30	958226	2	O-ring		
31	946152	1	Nipple		
32	957031	1	Nipple		
33	961664	3	Hose clamp		
34	838311	X	Return hose		L = 500 MM
35	838482	1	Oil cooler		
36	955515	2	Hexagon screw		
37	941906	2	Spring washer		
38		1	Link rod		
39	913158	1	Clevis pin		
40	853160	1	Lock washer		
41	852789	1	Split pin		
42	907856	2	Split pin		
43		1	Link stay		
44	828892	1	Tube		
45	828893	1	Tube		

