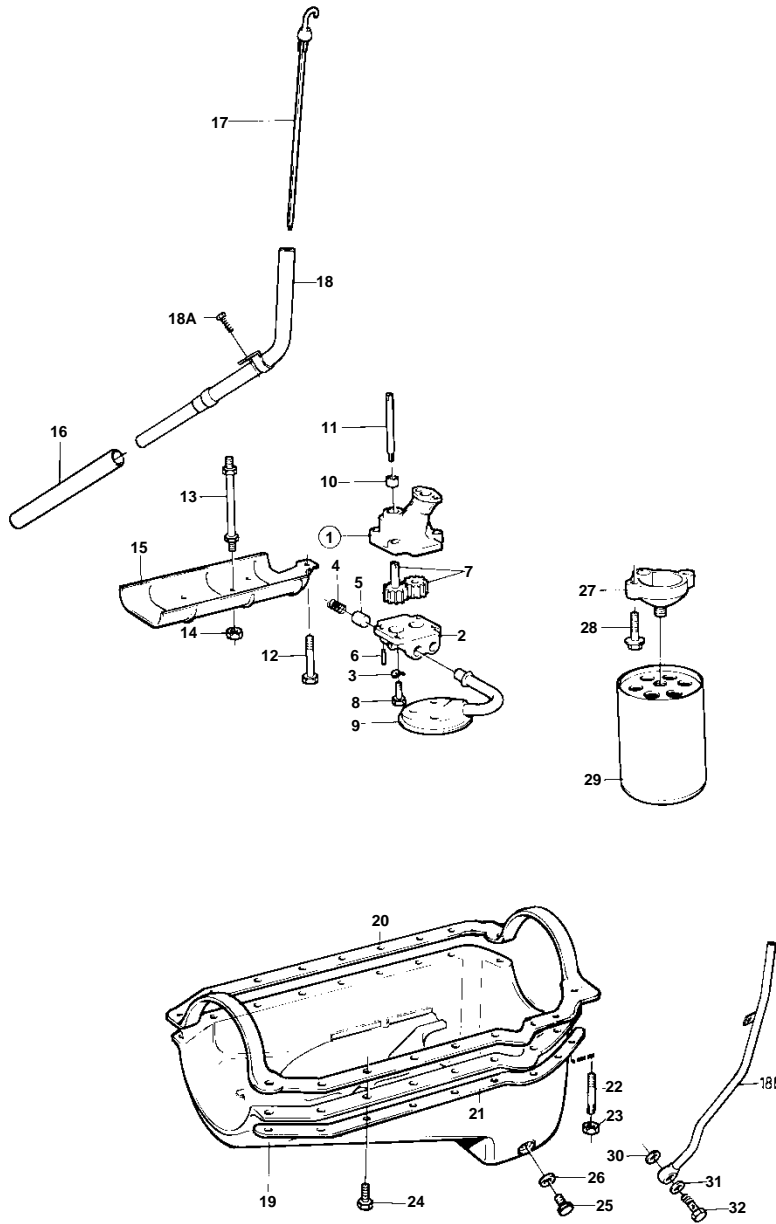


AQ200F



8068

## AQ200F

REF	PART NO.	QTY	DESCRIPTION	SEE SEC.	NOTES
1	835371	1	Oil pump		
2		1	• Cover		
3	941906	4	• Spring washer		
4		1	• Spring		
5	835376	1	• Spring		
6		1	• Spring catch		
7		2	• GEAR		
8	955513	4	• Hexagon screw		
9		1	Oil strainer		
10	835374	1	Sleeve		
11	835373	1	Shaft		
12	835082	1	Screw		
13			STUD BOLT		EXCL AQ200F
14			NUT		EXCL AQ200F
15			BAFFLE		EXCL AQ200F
16	945460	1	Tube		L = 711 MM
17	835414	1	Oil dipstick		
18	841543	1	Tube		
18A	955512	1	Hexagon screw		
18B	841792	1	Oil scavenging pipe		
19	855816	1	Sump		
20	855819	1	Gasket		
21	855817	1	Reinforcing plate		RIGHT SIDE
	855818	1	Reinforcing plate		LEFT SIDE
22	855808	8	Stud		
23	855596	8	Nut		
24	855821	14	Screw		
25	841215	1	Plug		
26	841952	1	Gasket		
27	835423	1	Anchorage		
28		2	Screw		
29	835440	1	Oil filter		
			Bulletin P-21-7-1	P-21-7-1-EN	Oil Filters, GM gas engines
30	841952	1	Gasket		
31	841953	1	Gasket		
32	954393	1	Hollow screw		