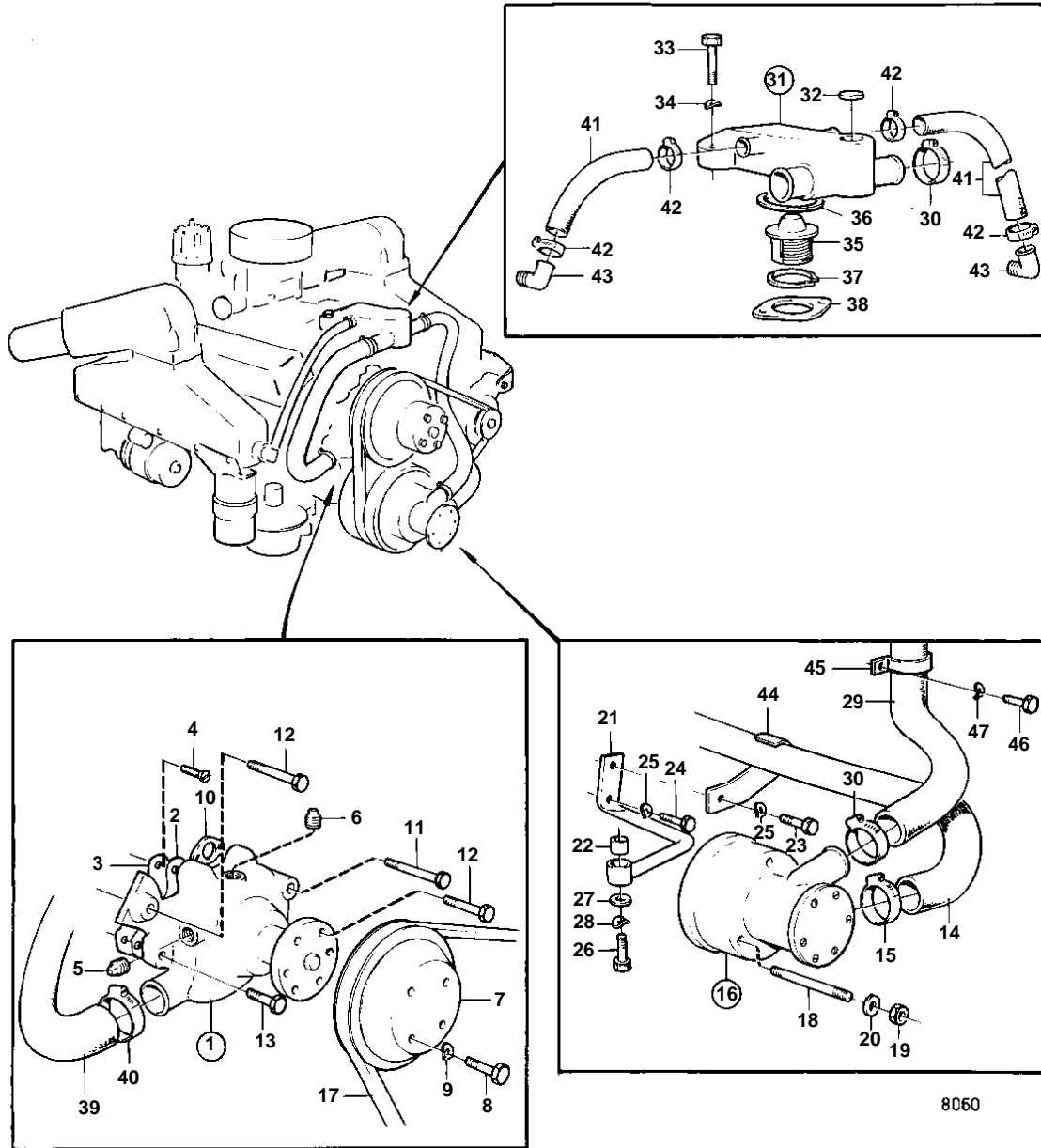


AQ200F



AQ200F

REF	PART NO.	QTY	DESCRIPTION	SEE SEC.	NOTES
1	835390	1	Water pump		
2	841036	1	· Gasket		
3		1	· Plate		
4	841426	6	· Screw		
5	952358	1	· Plug		
6	952359	1	· Plug		
7	855283	1	Pulley		
8	955655	4	Hexagon screw		
9	941907	4	Spring washer		
10	835210	2	Gasket		
11	940162	1	Hexagon screw		
12	955536	2	Hexagon screw		
13	955540	1	Hexagon screw		
14	855373	1	Hose		
15	961669	2	Hose clamp		
16	841640	1	Sea water pump		
				17065	
17	958498	1	V-belt		
18	948324	3	Hex. socket screw		
19	942336	3	Spring washer		
20	826421	1	Torque rod		
21	826422	1	Rubber bushing		
22	940115	1	Hexagon screw		
23	955534	1	Hexagon screw		SEE GROUP 3
24	942336	2	Spring washer		
25	955523	1	Hexagon screw		
26	960141	1	Washer		
27	941907	1	Spring washer		
28	826423	1	Hose		
29	961669	2	Hose clamp		
30	855485	1	Thermostat housing		
31	192426	1	· Expansion plug		
32	955537	2	Hexagon screw		
33	942336	2	Spring washer		
34	875794	1	Thermostat kit		
35	416033	1	Sealing ring		(1317466)
36	855486	1	Lock ring		
37	835417	1	Gasket		
38	834906	1	Hose		
39	961671	2	Hose clamp		
40	952970	X	Hose		L = 2X350 MM
41	961666	4	Hose clamp		
42	961610	2	Hose nipple		
43		1	Clamp		
44		1	Clamp		
45	841307	1	Clamp		
46	955534	1	Hexagon screw		
47	942336	1	Spring washer		