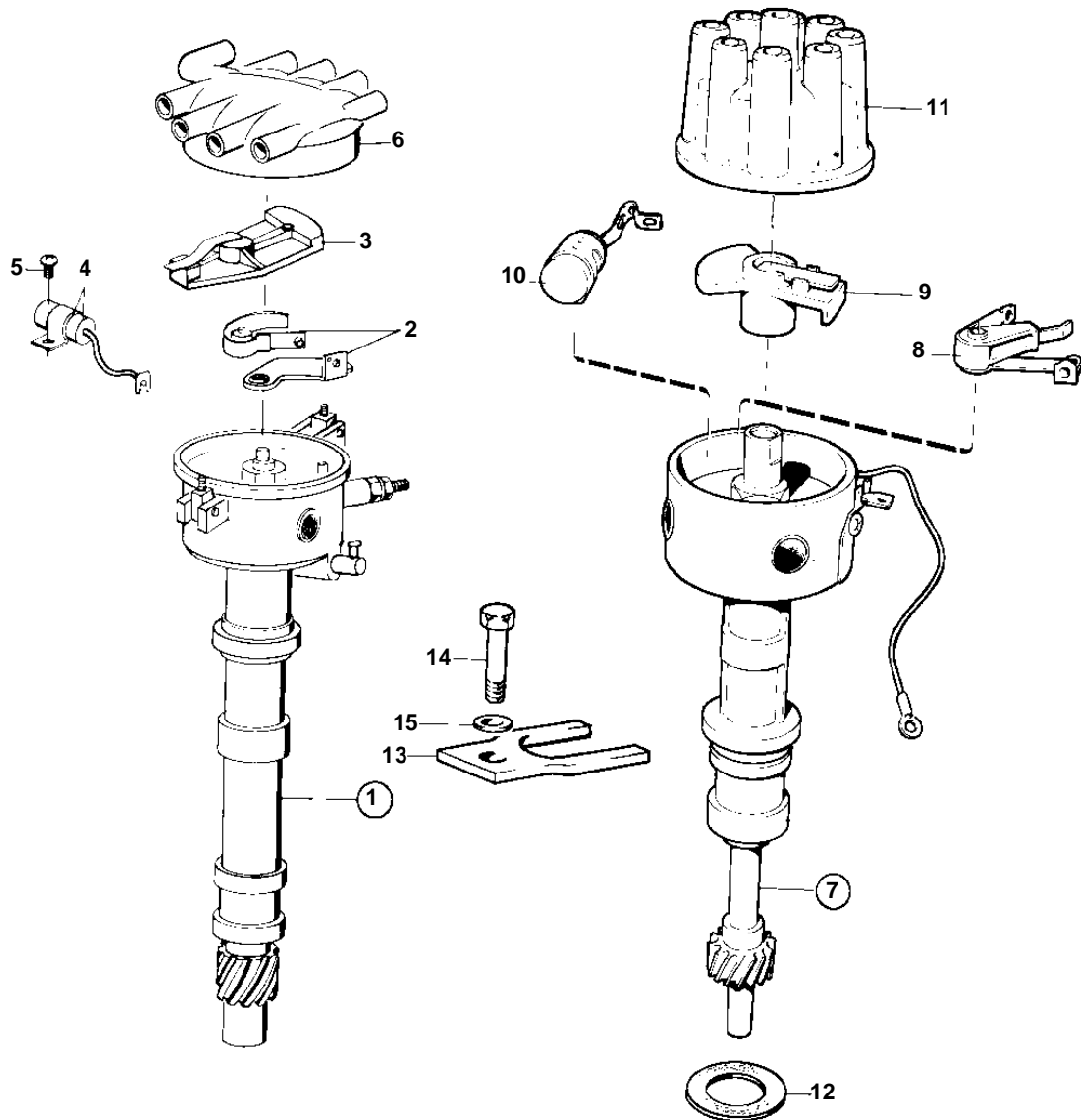


AQ200B, AQ225B



6304

AQ200B, AQ225B

REF	PART NO.	QTY	DESCRIPTION	NOTES
1		1		REPL BY 841069
2	835304	1	· Breaker point kit	
3	841243	1	· Rotor	(835305)
4	835308	1	· Capacitor	
5		1	· Screw	
6	841244	1	· Distributor cap	(835310)
7	841069	1	Distributor	
8	835705	1	· Switch kit	
9	841907	1	· Rotor	
10	835704	1	· Condenser kit	
11	841070	1	· Cover	
12	835154	1	Gasket	
13	841530	1	Retainer	(835426)
14	955535	1	Hexagon screw	
15	941744	1	Washer	