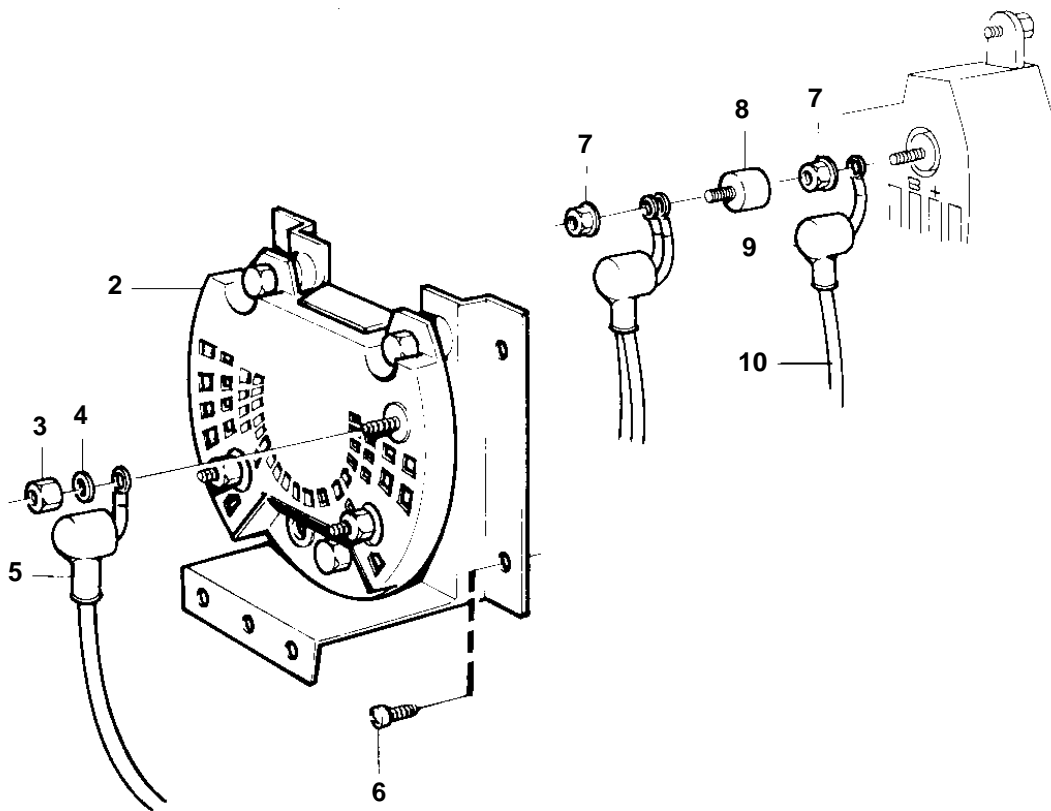


1



8882

**COMMON**

REF	PART NO.	QTY	DESCRIPTION	NOTES
1	858841	1	Charge distributor	
2	858842	1	· Charge distributor	
3	955781	3	· Nut	
4	941906	3	· Spring washer	
5	842150	3	· Protective cap	
6	828647	4	· Screw	
7	945407	2	· Flange nut	
8	862330	1	· Rubber bushing	
9	862345	1	· Protective cap	
10	948210	X	· Strip clamp	SEE GROUP 3