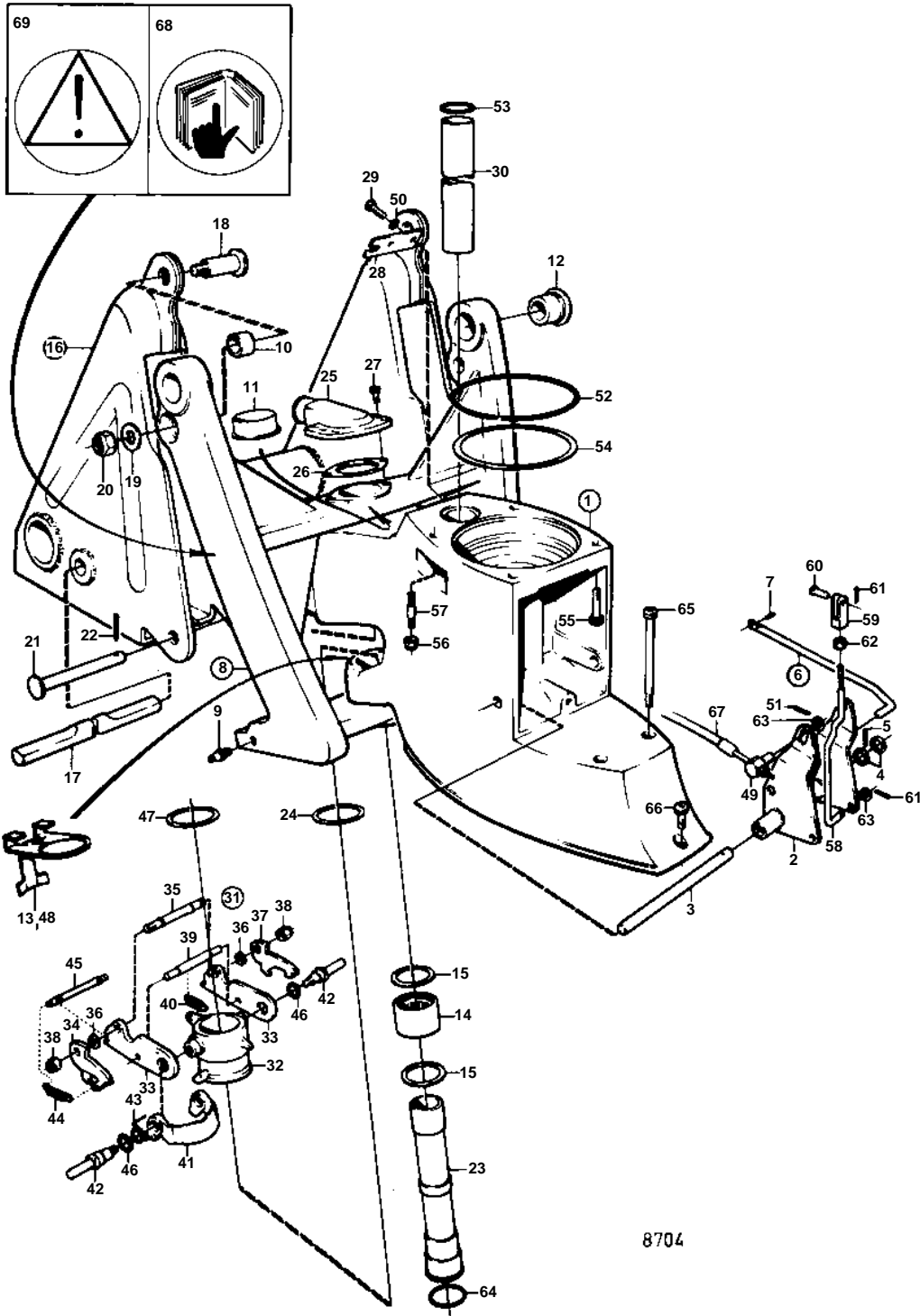


DRIVE 290, DRIVE 290A



8704

DRIVE 290,DRIVE 290A

REF	PART NO.	QTY	DESCRIPTION		NOTES
1	852851	1	Intermediate housing		
2	897829	1	• Gear yoke		
3	897447	1	• Shaft		
4	897511	2	• Washer		
5	17253	1	• Cotter pin	IK	
6	851412	1	• Reverse locking rod		
7	967556	1	• • Spring pin		
8	852869	1	Suspension fork		
9	940194	1	• Nipple		
10	852912	2	• Bushing		
11	853062	1	• Bushing		
12	853223	2	Bushing		
13	853967	1	Guide washer		(851426)
14	183391	1	Needle bearing		
15	181620	2	Sealing ring	IK	
16	852769	1	Anchorage		REPLACED BY 1EA 853310 ATTACHMENT + 2EA 853308 SCREW + 2EA 853309 CLEVIS PIN.
	853310	1	Cylinder anchorage		PZ29003011-
17		1	• SHAFT		
18	852751	2	Shoulder screw		
	853308	2	Shoulder screw		PZ29003011-
19	853071	2	Washer		
20	946672	2	Lock nut		
21	852749	2	Clevis pin		
	853309	2	Clevis pin	IK	PZ29003011-
22	967707	2	Cotter pin		
23	814386	1	Tube		
24	897696	2	Washer		
25	851766	1	Hose connection		
26	814356	1	Seal	IK	
27	941813	2	Screw		
28	853078	1	Cable attachment		
29	940168	2	Screw		
30	897644	1	Tube		
31	851422	1	Reverse tilt inhibit		
32	851402	1	• Bearing sleeve		
33	814391	2	• Reverse tilt inhibit		
34	814392	1	• Spring hook	IK	
35	814419	1	• Shaft	IK	
36	814422	2	• Spacer washer	IK	
37	814393	1	• Spring hook	IK	
38	943197	2	• Nut	IK	
39	851424	1	• Stop arm	IK	
40	832534	1	• Spring	IK	
41	851403	1	• Lock brace		
42	851423	2	• Pin		
43	814396	1	• Spring	IK	
44	814332	2	• Spring	IK	
45	814399	1	• Shaft	IK	
46	943194	2	• Washer	IK	
	876075	1	Repair kit, ASTERN LEVER		
47	814390	1	Washer	IK	
48	853967	1	Guide washer		(851426)
49	804312	1	Cube		
50	940191	2	Washer		
51	17276	1	Cotter pin		
52	925259	1	O-ring	IK	
53	125017	2	O-ring	IK	
54	943252	X	Adjusting washer		TH = 0,05 MM

