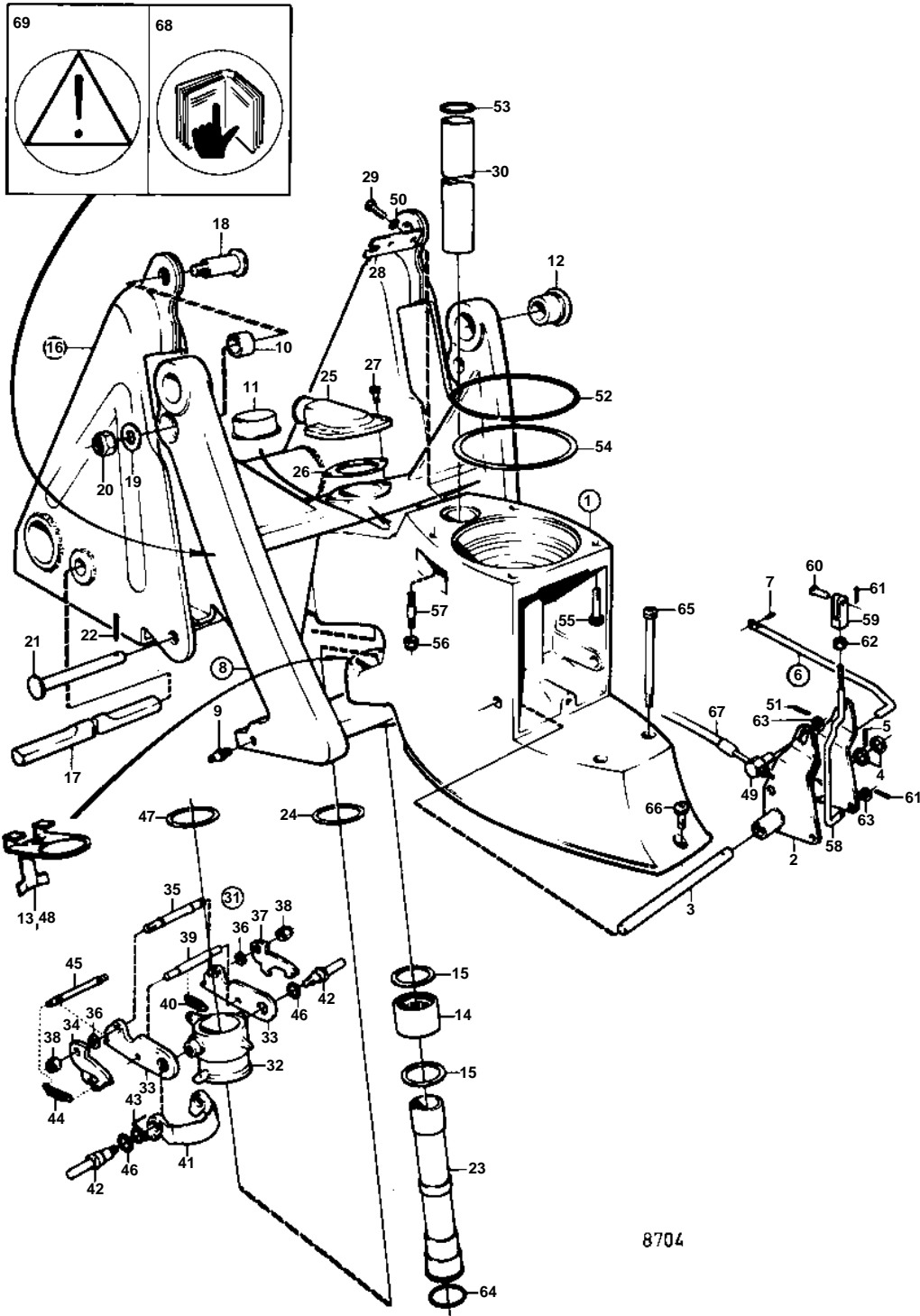


DRIVE 290,DRIVE 290A



8704

DRIVE 290,DRIVE 290A

REF	PART NO.	QTY	DESCRIPTION	NOTES
1	852851	1	Intermediate housing	
2	897829	1	• Gear yoke	
3	897447	1	• Shaft	
4	897511	2	• Washer	
5	17253	1	• Cotter pin	IK
6	851412	1	• Reverse locking rod	
7	967556	1	• • Spring pin	
8	852869	1	Suspension fork	
9	940194	1	• Nipple	
10	852912	2	• Bushing	
11	853062	1	• Bushing	
12	853223	2	Bushing	
14	183391	1	Needle bearing	
15	181620	2	Sealing ring	IK
16	853310	1	Cylinder anchorage	
17		1	• SHAFT	
18	853308	2	Shoulder screw	
19	853071	2	Washer	
20	946672	2	Lock nut	
21	853309	2	Clevis pin	
22	967707	2	Cotter pin	
23	814386	1	Tube	
24	897696	2	Washer	
25	851766	1	Hose connection	
26	814356	1	Seal	IK
27	941813	2	Screw	
28	853078	1	Cable attachment	
29	940168	2	Screw	
30	897644	1	Tube	
31	851422	1	Reverse tilt inhibit	
32	851402	1	• Bearing sleeve	
33	814391	2	• Reverse tilt inhibit	
34	814392	1	• Spring hook	IK
35	814419	1	• Shaft	IK
36	814422	2	• Spacer washer	IK
37	814393	1	• Spring hook	IK
38	943197	2	• Nut	IK
39	851424	1	• Stop arm	IK
40	832534	1	• Spring	IK
41	851403	1	• Lock brace	
42	851423	2	• Pin	
43	814396	1	• Spring	IK
44	814332	2	• Spring	IK
45	814399	1	• Shaft	IK
46	943194	2	• Washer	IK
	876075	1	Repair kit, ASTERN LEVER	
47	814390	1	Washer	IK
49	804312	1	Cube	
50	940191	2	Washer	
51	17276	1	Cotter pin	
52	925259	1	O-ring	IK
53	125017	2	O-ring	IK
54	943252	X	Adjusting washer	TH = 0,05 MM
	943866	X	Adjusting washer	TH = 0,10 MM

DRIVE 290,DRIVE 290A

REF	PART NO.	QTY	DESCRIPTION	NOTES
54	943867	X	Adjusting washer	TH = 0,20 MM
	967557	X	Adjusting washer	TH = 0,30 MM
	943868	X	Adjusting washer	TH = 0,40 MM
55	941807	2	Screw	
56	941885	2	Nut	
57	941816	2	Screw	IK
58	897448	1	Control rod	
59	813954	1	Control fork	
60	192662	1	Clevis pin	SEE GROUP 9
61	17253	2	Cotter pin	
62	940190	1	Nut	
63	940191	2	Washer	
64	941820	1	O-ring	IK
65	941808	2	Screw	
66	941809	1	Screw	
67		X	CONTROL CABLE	SEE GROUP 9
68	853716	1	Decal	
69	853717	1	Decal	