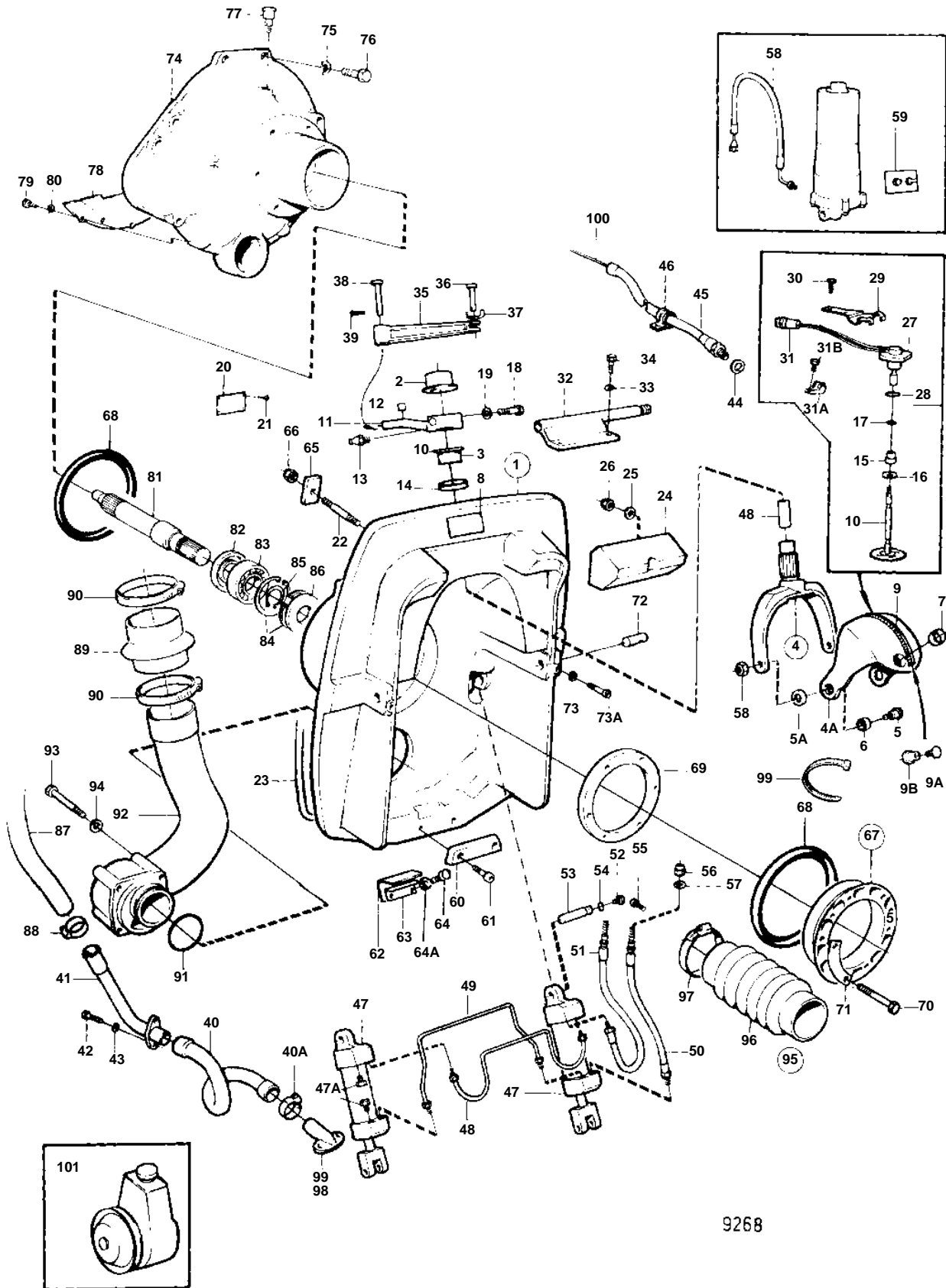


AQ151B,AQ151C



## AQ151B,AQ151C

REF	PART NO.	QTY	DESCRIPTION	SEE SEC.	NOTES
1	875845	1	Transom shield		WHITE
2	853863	2	• Bushing		(853496)
3	853864	2	• Bushing		(853497)
4	852950	1	• Steering fork kit		REPL BY 854066. WHITE
	854066	1	• Steering fork kit		GREY
4A		1	• • PROTECTING CAP		
5		2	• • SHOUTER SCREW		
5A		2	• • WASHER		
5B		2	• • NUT		
6		2	• • BUSHING		
7	853048	1	• • Bushing		
8	852827	1	• Sign		
9	853758	1	• Gear segment		REPLACED BY QUADRANT 854063, SCREW 853759 AND NUT 853760
	854063	1	• Gear segment		
9A	853759	1	• Screw		
9B	853760	1	• Rivet nut		
10	852984	1	• Drive gear		
11	853017	1	• Spindle arm		
12	949368	1	• • Bushing		
13	914169	1	• Lubricating nipple		
14	839195	1	• Ring		
			• Bulletin 48-23	48-23-EN	Seal Ring
15	851430	1	• Bushing		
16	966207	1	• Sealing ring		
17	925050	1	• O-ring		
18	959241	1	• Screw		
19	942336	1	• Spring washer		
20	853706	1	• Type plate		
21	804269	4	• Drive screw		
22	853982	6	• Stud		L = 103 MM (853726)
23	852868	1	Sealing strip		
24	852772	1	Rubber cushion		
25	960148	2	Washer		
26	963107	2	Nut		
27	828726	1	Potentiometer		
28	955991	1	O-ring		
29	853039	1	Bracket		
30	940199	1	Screw		
31		X	CABLE AND TERMINALS		SEE GROUP 3
31A	952628	1	Clamp		
31B	958247	1	Screw		
32	852775	1	Cable attachment		
33	941908	2	Spring washer		
34	955320	2	Screw		
35	852786	1	Link rod		
36	913158	1	Clevis pin		
37	853160	1	Lock washer		
38	852788	1	Clevis pin		
39	907856	1	Cotter pin		
40	875847	1	Hose kit		
40A	853548	2	• Hose clamp		
41	852771	1	Tube		
42	940100	2	Screw		
43	941906	2	Spring washer		
44	897745	1	Gasket		
45	839091	1	Hose		
46	952635	1	Clamp		
47	853439	2	Hydraulic cylinder		
47A	853215	2	Plug		
48	852830	1	Tube		

## AQ151B,AQ151C

REF	PART NO.	QTY	DESCRIPTION	SEE SEC.	NOTES
49	852832	1	Tube		
50	853709	1	Hose		
51	853708	1	Hose		
52	852879	2	Plug		
53	852748	2	Pin		
54	925053	4	O-ring		
55	853060	2	Flange screw		
56	853100	2	Nut		
57	853059	2	Washer		
58	852839	1	Hose		
59		1	HYDRAULIC PUMP AND TRIM INSTRUMENT WITH INSTALLATION COMPONENTS	04A-1390	
60	852835	1	Zinc electrode		
61	946541	2	Screw		
62	852877	1	Check valve		
63	852878	1	Attaching plate		
64	963545	2	Screw		
64A	941670	2	Washer		
65	852866	6	Washer		
66	963108	6	Nut		
67	826941	1	Clamping ring		
68	813967	2	· Rubber ring		
69	813964	1	· Spacer ring		
70	191844	6	· Screw		
71	806624	3	· Striker plate		
72	853175	2	Pivot pin		
73	941670	2	Washer		
73A	963699	2	Screw		
74	855610	1	Flywheel housing		
75	940280	4	Spring washer		
76	955342	4	Screw		
77	914167	1	Lubricating nipple		
78	834568	1	Cover plate		
79	946440	3	Flange screw		
80	941907	3	Spring washer		
81	855759	1	Shaft		
82	946242	1	Sealing ring		
83	11013	1	Ball bearing		
84	914533	2	Snap ring		
85	914462	1	Lock ring		
86	958860	1	Sealing ring		
87	838513	1	Hose		
88	961670	4	Hose clamp		
89	834871	1	Exhaust hose		
90	943483	2	Hose clamp	IK	
91	925260	1	O-ring	IK	
92	855551	1	Exhaust pipe		
93	955328	4	Screw		
94	960148	4	Washer		
95	875848	1	Bellows kit		
96		1	· BELLOW		
97	961675	1	Hose clamp		
98	949668	1	Strip clamp		
99	851766	1	Hose connection		SEE GROUP 4C
100		X	CONTROL CABLE		SEE GROUP 9
101		X	POWER STEERING		SEE GROUP 6
		X	ROTO PILOT		SEE GROUP 6