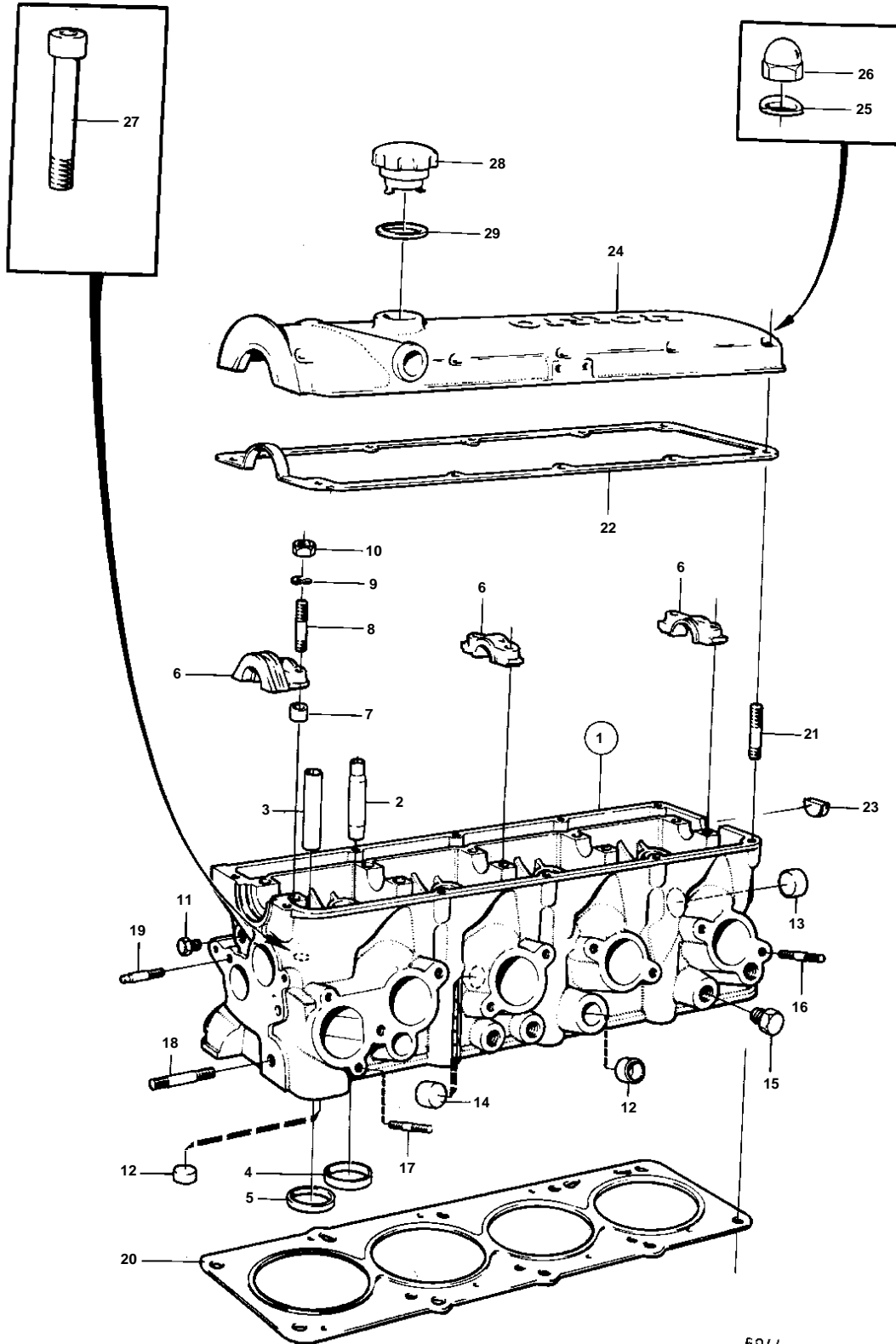


AQ145A, BB145A



5944

AQ145A,BB145A

REF	PART NO.	QTY	DESCRIPTION	SEE SEC.	NOTES
1	1276371	1	Cylinder head		
			Bulletin 41-06	41-06-EN	Cylinder Head B23
2	419652	4	· Valve guide		
3	463771	4	· Valve guide		
4		4	· VALVE SEAT, INTAKE		STD
	1219095	4	· Valve seat, INTAKE		OVER SIZE 0,5 MM
5		4	· VALVE SEAT, EXHAUST		STD
	1219096	4	· Seat ring, EXHAUST		OVER SIZE 0,5 MM
6		5	· BEARING CAP	02A-0675	
7	463690	10	· Guide sleeve	02A-0675	
8	953049	10	· Stud		
9	941907	10	· Spring washer		
10	955782	10	· Nut		
11	191026	2	· Plug		
12	946779	2	· Cap plug		
13	946780	4	· Cap plug		
14	946778	2	· Cap plug		
15	952076	1	Plug		
16	953046	6	Stud		SEE GROUP 2B
17	963196	2	Screw		
18	953077	1	Stud	02A-0675	
19	463390	1	Stud	02A-0675	
20	1332644	1	Gasket	IK	(1276191)
21	953040	10	Stud		
22	463999	1	Gasket	IK	
23	463416	1	Seal	IK	
24	1276327	1	Valve cover		(1219719)
	1276439	1	Valve cover		FOR ENGINE WITH THE OIL TRAP INSTALLED IN THE CYLINDER BLOCK.. AQ145A USA MO 75014726-. AQ145A MO 75034726-.
25	941906	9	Spring washer		
26	948685	10	Nut		(190566)
27	1306341	10	Screw		(945797)
28	420292	1	Oil filler cap		
29	940096	1	Gasket	IK	