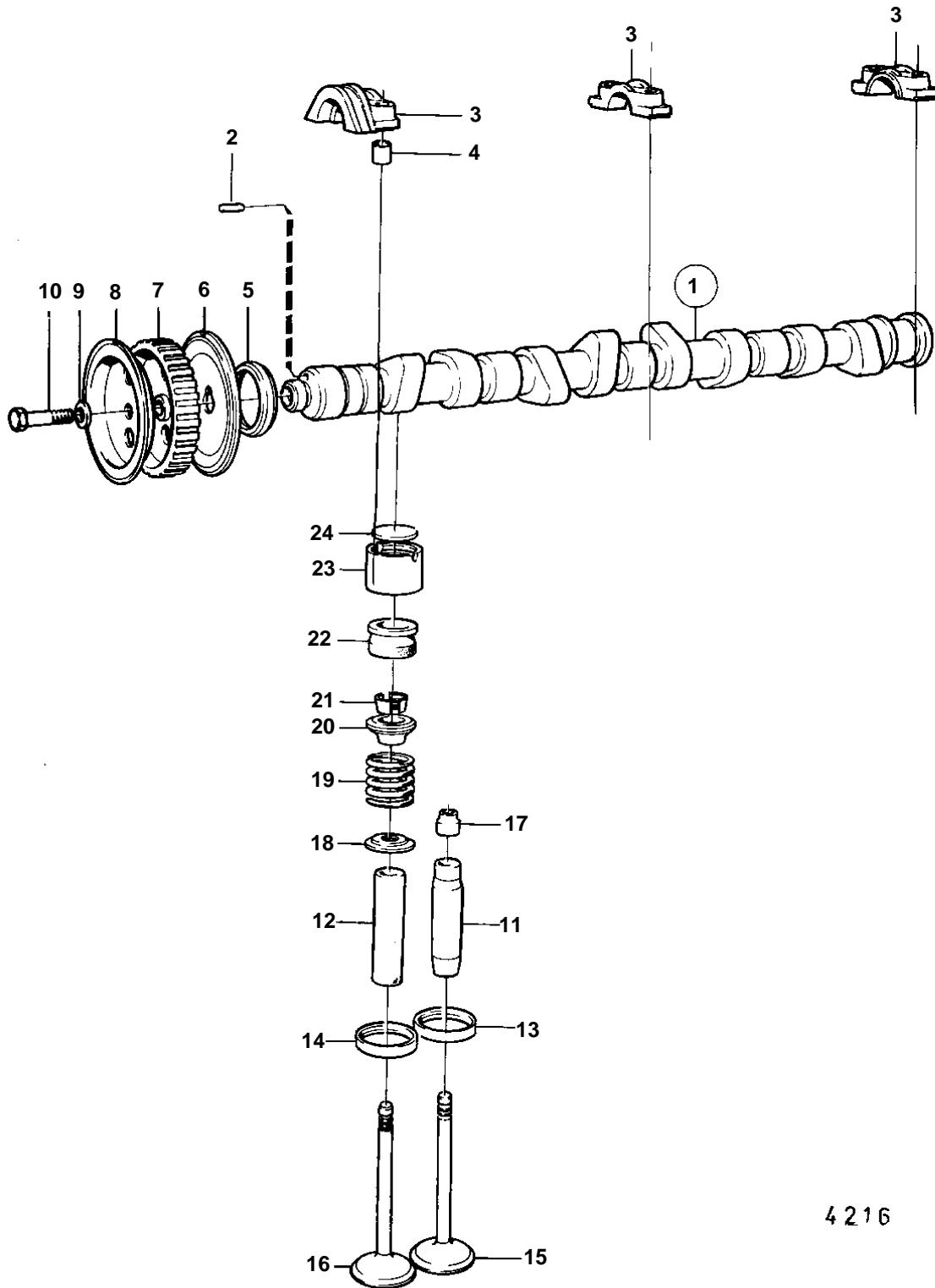


AQ145A, BB145A



4216

AQ145A,BB145A

REF	PART NO.	QTY	DESCRIPTION	SEE SEC.	NOTES
1	1306167	1	Camshaft		
2	949433	1	· Pin		
3		5	BEARING CAP	02A-1010	
4	463690	10	Guide sleeve	02A-1010	
5	1306333	1	Sealing ring	IK	(463358)
6	463578	1	Locating plate		(831938)
7	831972	1	Wheel	02A-0925	
8	463579	1	Locating plate		
9	463580	1	Washer		
10	955322	1	Screw		
11	419652	4	Valve guide	02A-1010	
12	463771	4	Valve guide	02A-1010	
13		4	VALVE SEAT, INTAKE		STD
	1266418	4	Seat ring		OVER SIZE 0,5 MM
14		4	VALVE SEAT, EXHAUST		STD
	1266429	4	, EXHAUST		OVER SIZE 0,5 MM
15	463395	4	Inlet valve		
16	463526	4	Exhaust valve		
17		4	SEAL		REPLACED BY 1306630, AQ145A USA MO-75015071/XXXX. AQ145A MO-75035421/XXXX.
	1306630	4	Valve seal	IK	AQ145 USA MO 75015072/XXXX-. AQ145A MO 75035422/XXXX-.
18	463399	8	Washer		
19	463739	8	Valve spring		
20	1266797	8	Washer		
21	419643	16	Valve collet		
22	1219648	8	Rubber ring	IK	
23	463075	8	Valve depressor		
24	463546	8	· Adjusting washer		TH = 3,30 MM
	463547	X	· Adjusting washer		TH = 3,35 MM
	463548	X	· Adjusting washer		TH = 3,40 MM
	463549	X	· Adjusting washer		TH = 3,45 MM
	463550	X	· Adjusting washer		TH = 3,50 MM
	463551	X	· Adjusting washer		TH = 3,55 MM
	463552	X	· Adjusting washer		TH = 3,60 MM
	463553	X	· Adjusting washer		TH = 3,65 MM
	463554	X	· Adjusting washer		TH = 3,70 MM
	463555	X	· Adjusting washer		TH = 3,75 MM
	463556	X	· Adjusting washer		TH = 3,80 MM
	463557	X	· Adjusting washer		TH = 3,85 MM
	463558	X	· Adjusting washer		TH = 3,90 MM
	463559	X	· Adjusting washer		TH = 3,95 MM
	463560	X	· Adjusting washer		TH = 4,00 MM
	463561	X	· Adjusting washer		TH = 4,05 MM
	463562	X	· Adjusting washer		TH = 4,10 MM
	463563	X	· Adjusting washer		TH = 4,15 MM
	463564	X	· Adjusting washer		TH = 4,20 MM
	463565	X	· Adjusting washer		TH = 4,25 MM
	463566	X	· Adjusting washer		TH = 4,30 MM
	463567	X	· Adjusting washer		TH = 4,35 MM
	463568	X	· Adjusting washer		TH = 4,40 MM
	463569	X	· Adjusting washer		TH = 4,45 MM
	463570	X	· Adjusting washer		TH = 4,50 MM