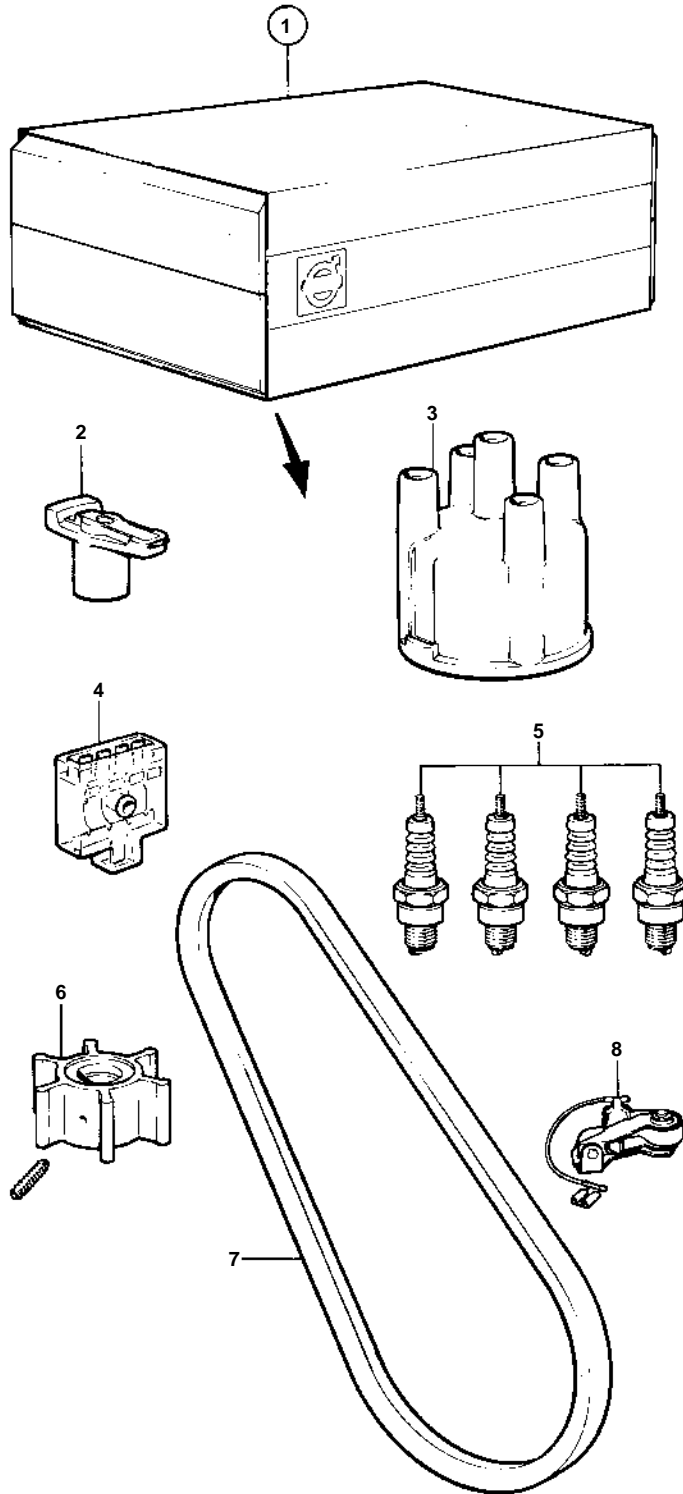


AQ120B,AQ140A



6148

AQ120B,AQ140A

REF	PART NO.	QTY	DESCRIPTION	NOTES
1	875696	1	On board kit	145A, REPL BY 875695
2	243903	1	· Rotor	(243796)
3	841263	1	· Cover	
4	824823	1	· Fuse box	
5	875820	1	· Spark plug kit	
6	875575	1	· Impeller kit	
7	834548	1	· V-belt	L = 1075 MM
8	243799	1	· Switch kit	