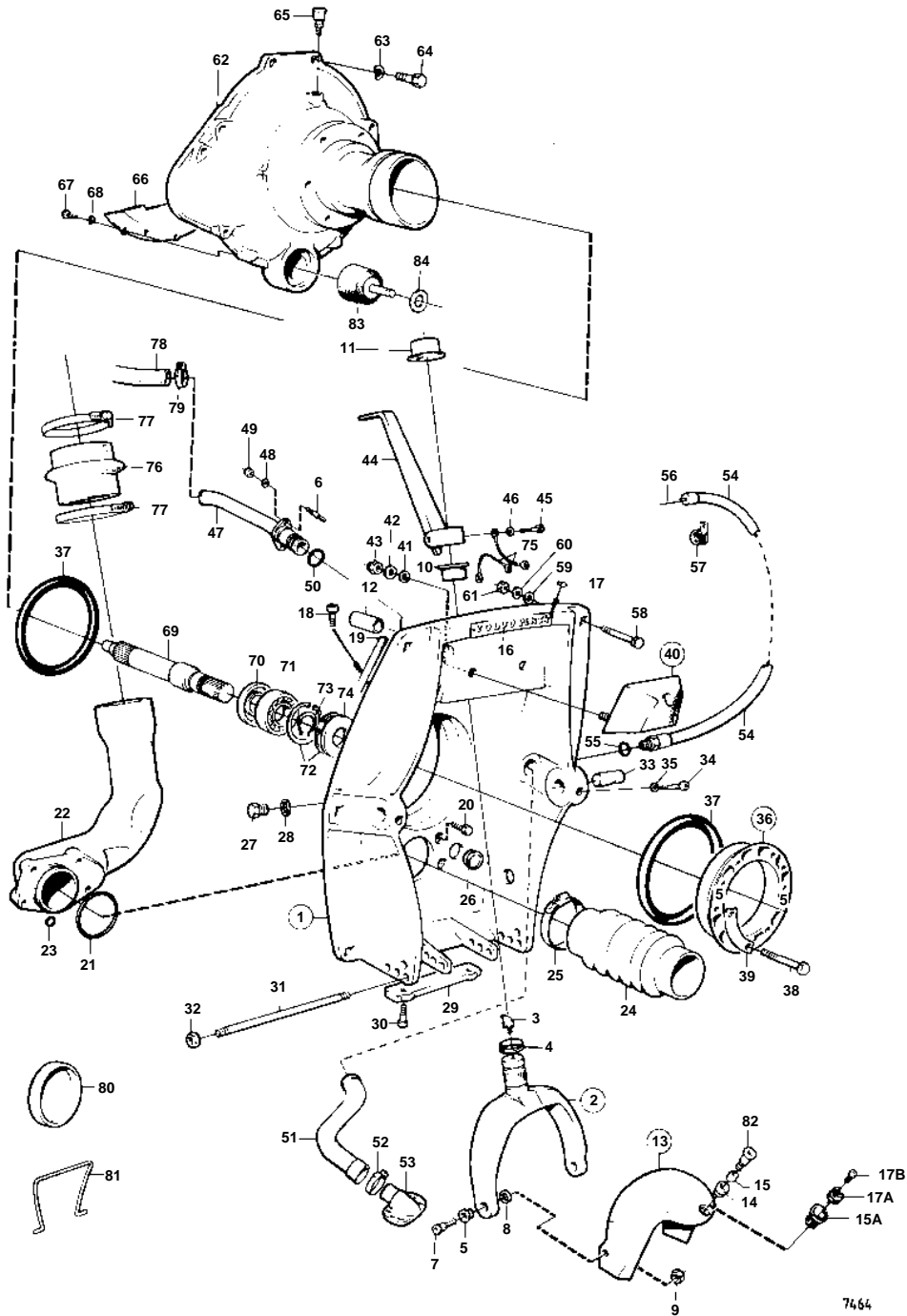


AQ120B,AQ125A



## AQ120B,AQ125A

REF	PART NO.	QTY	DESCRIPTION	SEE SEC.	NOTES
1	875637	1			
	875671	1	Transom shield		MOXXXX/187080-
2	839441	1	• Steering yoke		
3	914169	1	• • Lubricating nipple		
4	839195	1	• • Ring	IK	
			• • Bulletin 48-23	48-23-EN	Seal Ring
5	814640	2	• • Bushing		
6	941872	2	• Stud		
7	897798	2	• Shoulder screw		
8	897244	2	• Washer		
9	943152	2	• Nut		
10	832651	1	• Bushing		
11	832652	1	• Bushing		
12	850653	1	• Bushing		SEE GROUP 6
13	839592	1	• Protective helmet		MO-XXXX/187079
	851267	1	• Protective helmet		MOXXXX/187080-
14	839698	1	• • Bushing		FOR M18 BOLTS.
15	839697	1	• • Bushing		MO-XXXX/187079
15A	853048	1	• • Bushing		FOR BEARING PIN WITH 2 BOLTS.
16	832608	1	• Sign		
17	804269	2	• Drive screw		
17A	852705	1	Pivot pin, BEARING PIN		(851263)
					MOXXXX/187080-
17B	941807	2	Screw		MOXXXX/187080-
18	956568	2	Screw		SEE GROUP 9
19	897726	1	Sealing strip		
20	959967	4	Screw		
21	925256	1	O-ring	IK	
22	852972	1	Grommet		
23	925055	4	O-ring	IK	
24	875848	1	Bellows kit		(897631)
		1	• RUBBER BELLOW		
25	853012	2	• Hose clamp		(961676)
26	814473	1	Rubber plug		
27	897744	1	Plug		
28	897745	1	Gasket	IK	
29	832598	1	Zinc electrode		
30	959438	2	Screw		
31	814301	1	Adjuster pin		
32	814357	2	Flange nut		
33	853175	2	Pivot pin		
34	941873	2	Screw		
35	941670	2	Washer		
36	806310	1	Clamping ring		
37	804190	2	• Rubber ring		
38	191844	6	• Screw		
39	806624	3	• Striker plate		
40	875531	1	Rubber cushion		
41	832565	2	• Gasket		
42	940097	2	• Washer		(960142)
43	950364	2	• Nut		
44	839459	1	Spindle arm		SEE GROUP 6
45	955537	1	Screw		
46	940097	1	Washer		
47	850729	1	Grommet		
48	955893	2	Washer		
49	950352	2	Lock nut		
50	925063	1	O-ring		
51	875822	1	Hose kit		(897599)
		1	• HOSE		
52	961668	2	• Hose clamp		
53	851766	1	Hose connection		SEE GROUP 4C
54	839091	1	Hose		

AQ120B,AQ125A

REF	PART NO.	QTY	DESCRIPTION	SEE SEC.	NOTES
55	897745	1	Gasket		
56		X	CONTROL CABLE		SEE GROUP 9
57	952635	1	Clamp		
58	943426	6	Screw		
59	850418	6	O-ring		
60	190878	6	Washer		
61	940176	6	Nut		
62	834953	1	Flywheel		EARLY TYPE. REPLACED BY FLYWHEEL COVER 841963 + GREASE NIPPLE 914167
	841963	1	Flywheel housing		
63	940280	4	Spring washer		
64	955342	4	Screw		
65	180019	1	Lubricator		EARLY TYPE
	914167	1	Lubricating nipple		
66	834568	1	Cover plate		
67	955524	3	Screw		
68	941907	3	Spring washer		
69	832941	1	Shaft		AQ120B, AQ125A, AQ125B
	853340	1	Shaft		AQ131A
70	946242	1	Sealing ring		
71	11013	1	Ball bearing		
72	914533	2	Snap ring		
73	914462	1	Lock ring		
74	958860	1	Sealing ring	IK	
75		X	CABLES AND CABLE TERMINALS		SEE GROUP 3
76	834871	1	Exhaust hose		(942713) SEE GROUP 2B
77	943483	2	Hose clamp		
78	941799	X	Hose		L = 300 MM SEE GROUP 2B
79	961699	2	Hose connection		SEE GROUP 2B
80	944738	1	Plastic plug		FOR TRANSPORT.
81	897824	1	Conveyer stop		FOR TRANSPORT.
82	839696	1	Shoulder screw, SCREW		M18 SEE GROUP 4C MO-XXXX/187079
83	804210	1	Rubber cushion		
84	64432	1	Washer		