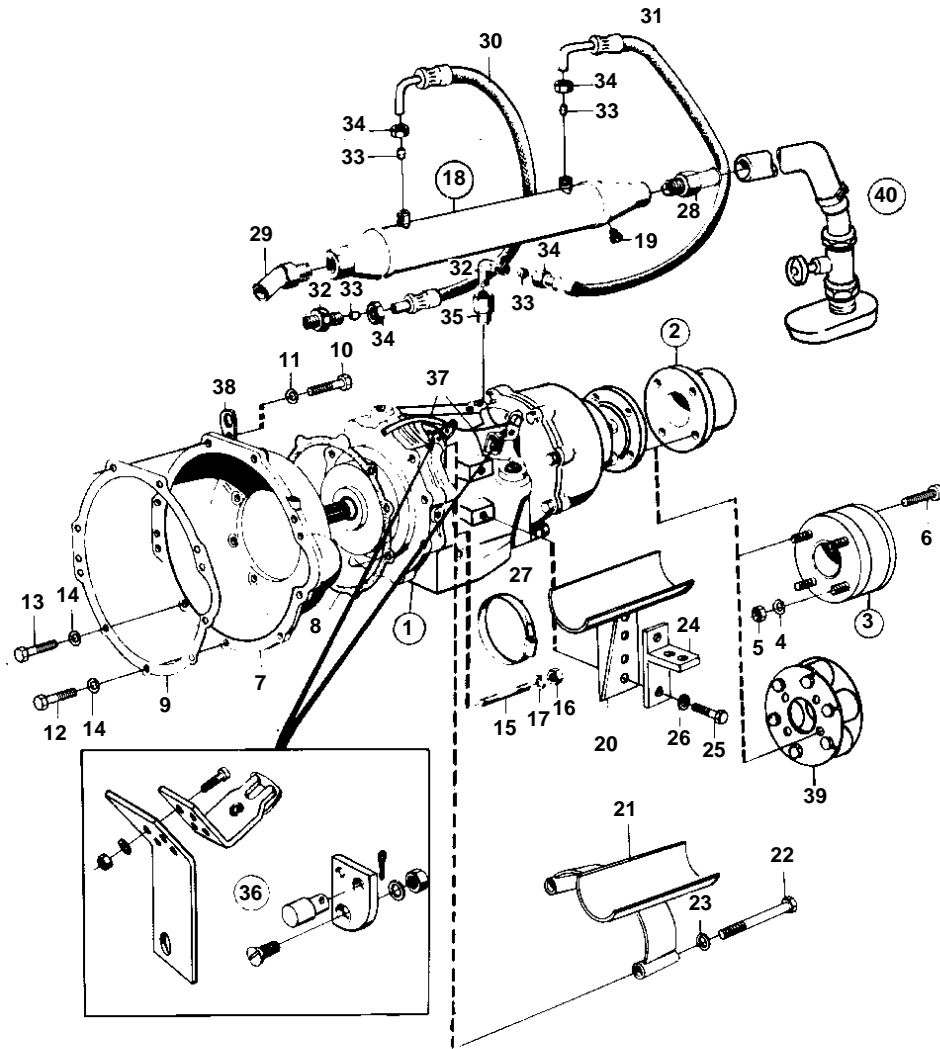


BB115A, BB115B, BB115C



4821

BB115A,BB115B,BB115C

REF	PART NO.	QTY	DESCRIPTION	NOTES
1	829455	1		4" PROPELLER SHAFT FLANGE.
	829456	1	, 5:1	BW AS2-71CR. 4" PROPELLER SHAFT FLANGE.
	829457	1	, 91:1	BW AS7-71CR. REPLACED BY REVERSE GEAR 834707, FLANGE 819105.. 4" PROPELLER SHAFT FLANGE.
	834707	1	, 91:1	BW AS7-71CR. 5" PROPELLER SHAFT FLANGE.
	829458	1	, 1:1	BW AS3-71CR. REPLACED BY REVERSE GEAR 834708, FLANGE 819105.. 4" PROPELLER SHAFT FLANGE.
	834708	1	, 1:1	BW AS3-71CR. 5" PROPELLER SHAFT FLANGE.
	829459	1	, 91:1	BW AS15-71CR. REPLACED BY REVERSE GEAR 834709.. 5" PROPELLER SHAFT FLANGE.
	834709	1	, 91:1	BW AS15-71CR. 5" PROPELLER SHAFT FLANGE.
			COMPONENTS	
2		1	PROPELLER SHAFT FLANGE	SEE GROUP 9
3	829252	1	Elastic clutch	5" PROPELLER SHAFT FLANGE.. PREDRILLED.
4	941909	4	· Spring washer	
5	940157	4	· Nut	
6	959241	6	· Screw	
7	806295	1	Flywheel housing	
8	803921	1	Gasket	
9	806272	1	Gasket	
10	940160	4	Screw	7/16" - 14 UNC
	955342	4	Screw	M12
11	941909	4	Spring washer	D = 11,5 MM
	940280	4	Spring washer	D = 13,5 MM
12	955525	1	Screw	
13	940186	2	Screw	
14	941907	3	Spring washer	
15	953529	6	Stud	EARLY TYPE
	953529	4	Stud	LATE TYPE
16	940157	5	Nut	EARLY TYPE
	955836	1	Nut	EARLY TYPE
	940157	4	Nut	LATE TYPE
17	941909	6	Spring washer	EARLY TYPE
	941909	4	Spring washer	LATE TYPE
18	829256	1	Oil cooler	
19	180759	2	· Plug	
20	826854	1	Bracket	EARLY TYPE
21	829083	1	Bracket	LATE TYPE
22	959805	2	Screw	LATE TYPE
23	955896	2	Washer	LATE TYPE
24	827127	1	Bracket	SEE GROUP 2A
25	940134	2	Screw	SEE GROUP 2A
26	941909	2	Spring washer	SEE GROUP 2A
27	943478	2	Clamp	(951794)
28	829187	1	Hose attachment	
29	813824	1	Hose attachment	SEE GROUP 2B
30	829260	1	Hose	L = 500 MM EARLY TYPE
	829259	1	Hose	L = 360 MM LATE TYPE
31	829259	1	Hose	L = 360 MM
32	941757	4	Nipple	EARLY TYPE
	941757	1	Nipple	LATE TYPE
	941750	1	Nipple	LATE TYPE
33	956970	4	Ferrule	
34	956984	4	Nut	
35	804533	1	Nipple	
36		1	BRACKET KIT	SPEC 867091, 867142.
37		X	CONTROL CABLE	SEE GROUP 9
38		1	LIFT EYE	
39	819153	1	Rubber coupling	SEE GROUP 9
40		1	COOLING WATER INTAKE	SEE GROUP 9
		1	COUPLING FLANGE	SEE GROUP 9