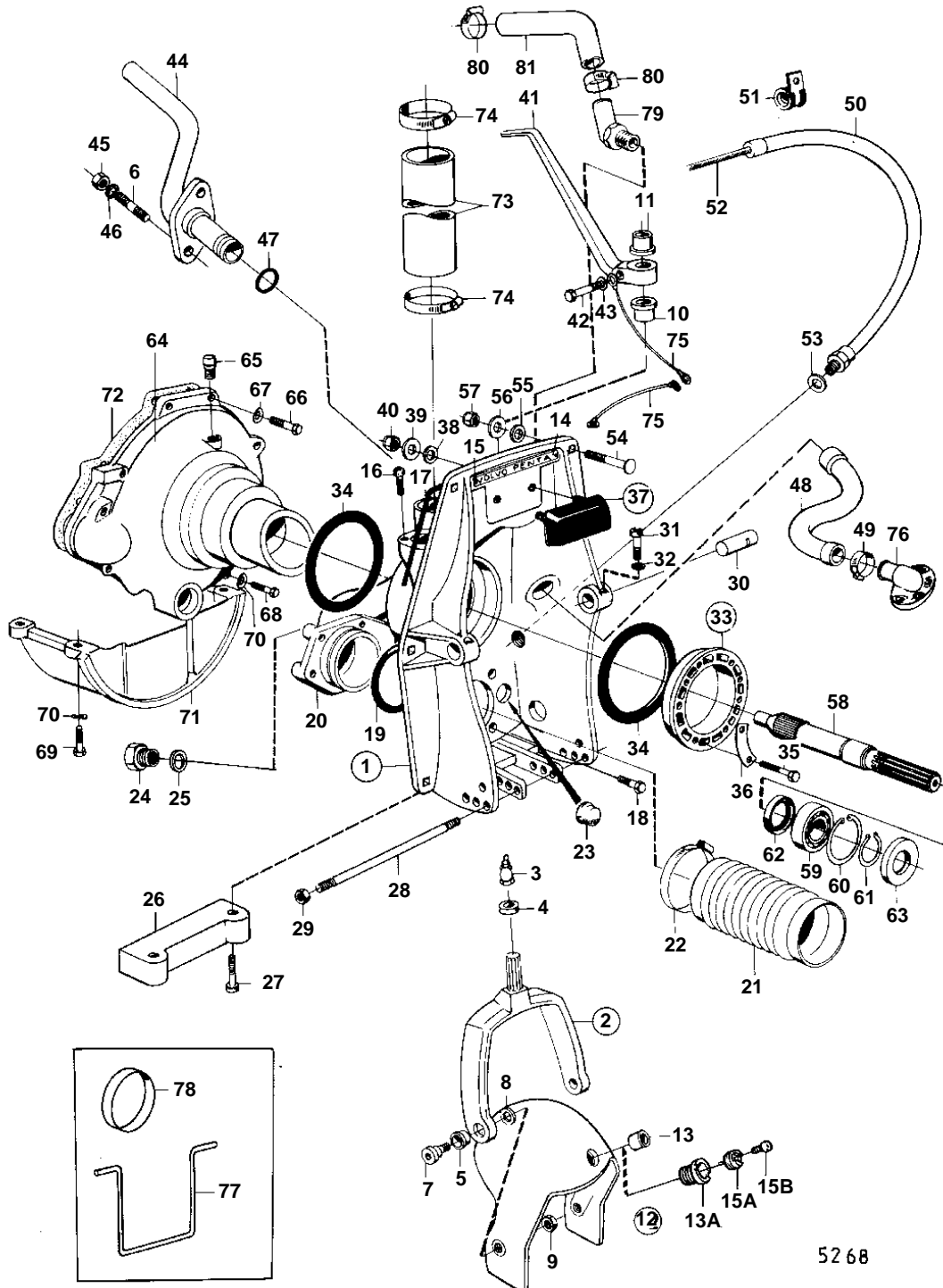


AQ170B, AQ170C



52 68

## AQ170B, AQ170C

REF	PART NO.	QTY	DESCRIPTION	SEE SEC.	NOTES
1		1	SHIELD		REPLACED BY 1EA 875671, 1EA 851265, 1EA 851263, 2EA 941807, 1EA 875531, 1EA 839459, 1EA 940097, 1EA 955537.
	875532	1	Tensioning ring		FOR STEERING YOKE AND LEVER WITH SPLINES., REPLACED BY 1EA 875671 1EA 851265 1EA 851263 2EA 941807., MOXXXX/80275-
	875671	1	Shield		-XXXX/187079
2	839441	1	• Steering yoke		MOXXXX/187080-
3	914169	1	• • Lubricating nipple		
4	839195	1	• • Ring		
			Bulletin 48-23	48-23-EN	Seal Ring
5	814640	2	• • Bushing		
6	941872	2	• Stud		
7	897798	2	• Shoulder screw		
8	897244	2	• Washer		
9	943152	2	• Nut		
10	832651	1	• Bushing		
11	832652	1	• Bushing		
12	814684	1	• Protective helmet		MO-XXXX/187079
	851267	1	• Protective helmet		MOXXXX/187080-
13	814641	1	• • Bushing		FOR 1/2"- 13UNC SCREW.
13A	851262	1	• • Bushing		FOR BEARING PIN WITH 2 BOLTS.
14	832608	1	• Plate		
15	804269	2	• Drive screw		
15A	852705	1	Pivot pin, BEARING TAP		(851263)
15					MOXXXX/187080-
					REPL BY 852705
15B	941807	2	Hex. socket screw		MOXXXX/187080-
16	956568	2	Hex. socket screw		SEE GROUP 9
17	897726	1	Sealing strip		
18	959967	4	Hexagon screw		
19	925256	1	O-ring		
20		1	Hull fitting		
21	850443	1	Exhaust bellows		
22	961675	2	Hose clamp		
23	814473	1	Rubber plug		
24		1	Plug		
25	897745	1	Gasket		
26	832598	1	Zinc anode		
27	959438	2	Hex. socket screw		
28	814301	1	Adjusting pin		
29	814357	2	Flange nut		
30	897831	2	Pivot pin		
31	941873	2	Hex. socket screw		
32	941670	2	Washer		
33	806310	1	Mounting kit		
34	804190	2	• Rubber ring		
35	191844	6	• Hexagon screw		
36	806624	3	• Striker plate		
37	875531	1	Rubber cushion		
38	832565	2	• Gasket		
39	960142	2	• Washer		
40	950364	2	• Lock nut		
41		1	Spindle arm		MO-XXXX/80274
	839459	1	Spindle arm		MOXXXX/80275-
42	955537	1	Hexagon screw		
43	940097	1	Washer		
44	831111	1	Grommet		SEE GROUP 2B
45	950352	2	Lock nut		
46	955893	2	Washer		
47	925063	1	O-ring		
48		1	Hose		

## AQ170B, AQ170C

REF	PART NO.	QTY	DESCRIPTION	SEE SEC.	NOTES
49	961668	2	Hose clamp		
50	839091	1	Protecting hose		
51	952635	1	Clamp		
52		X	CONTROL CABLE		SEE GROUP 9
53	897745	1	Gasket		
54	943426	6	Screw		
55	850418	6	O-ring		(814166)
56	190878	6	Washer		
57	940176	6	Hexagon nut		
58	832941	1	Spindle		
59	11013	1	Ball bearing		
60	914533	2	Snap ring		
61	914462	1	Snap ring		
62	946242	1	Sealing ring		
63	958860	1	Sealing ring		
64		1	Flywheel housing		
65		1	Lubricator		
66	940160	4	Hexagon screw		L = 38 MM
67	941909	4	Spring washer		
68	940162	2	Hexagon screw		L = 38 MM
69	955535	4	Hexagon screw		L = 32 MM
70	942336	6	Spring washer		
71		1	Bracket		
72		1	Gasket		
73	952986	X	Hose		L = 130 MM SEE GROUP 2B
74	943482	2	Hose clamp		(951799) SEE GROUP 2B
75		X	CABLES AND CABLE TERMINALS		SEE GROUP 3
76	851766	1	Hose connection		SEE GROUP 4C
77	897824	1	Transport lock		FOR TRANSPORT.
78	944738	1	Plug		FOR TRANSPORT.
79	804429	1	Hose attachment		MOXXXX/94050-
80	943473	2	Hose clamp		(951789) MOXXXX/94050-
81	952969	X	Hose		L = 500 MM MOXXXX/94050-
	875192	1	Gasket kit		SEE GROUP 10