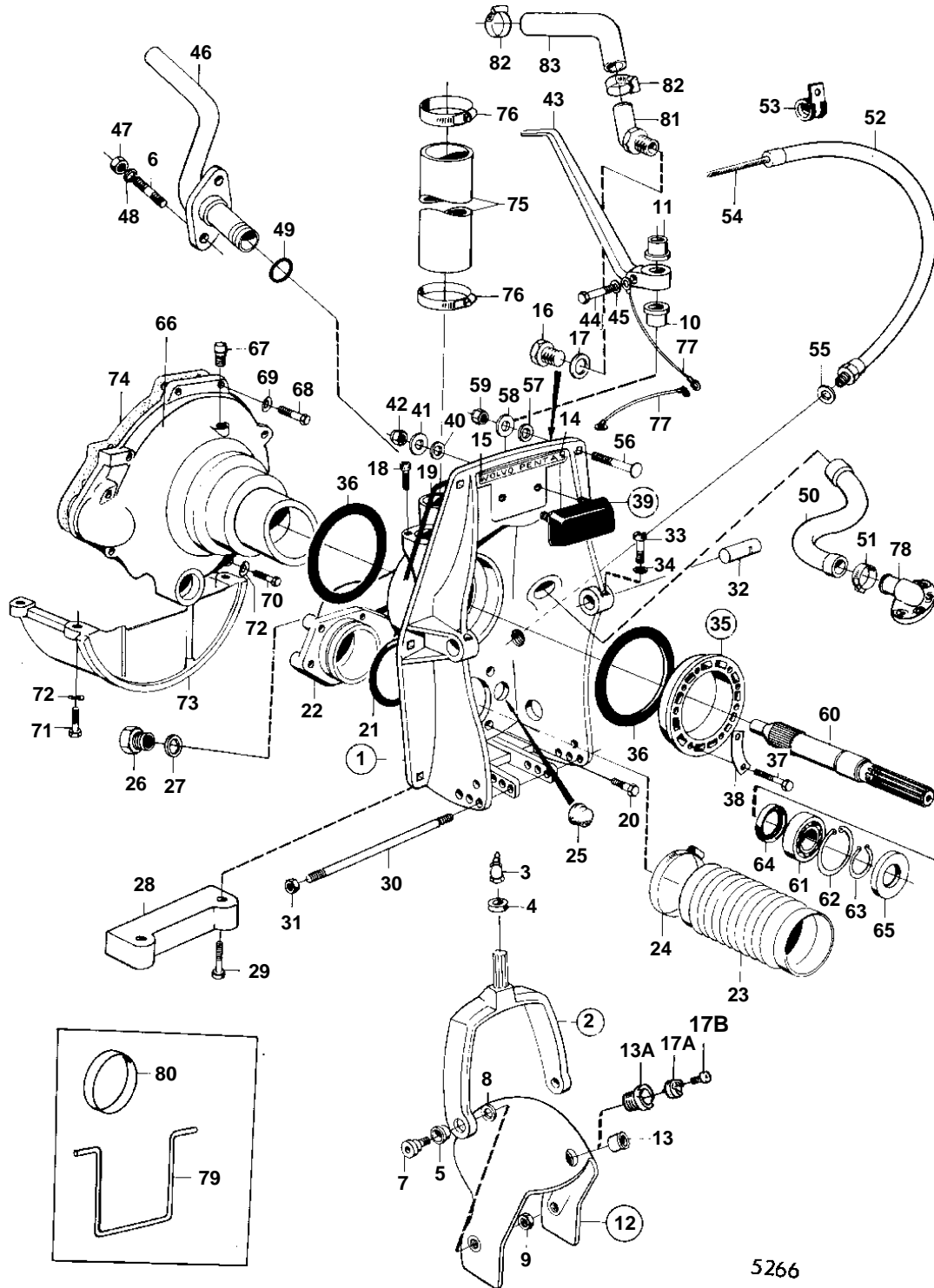


AQ170A, AQ170B



AQ170A, AQ170B

REF	PART NO.	QTY	DESCRIPTION	SEE SEC.	NOTES
1		1	SHIELD		REPLACED BY 1EA 875671, 1EA 851265, 1EA 851263, 2EA 941807, 1EA 875531, 1EA 839459, 1EA 940097, 1EA 955537.
	875532	1	Tensioning ring		FOR STEERING YOKE AND LEVER WITH SPLINES., REPLACED BY 1EA 875671 1EA 851265 1EA 851263 2EA 941807., MOXXXX/80275-
					-XXXX/187079
	875671	1	Shield		MOXXXX/187080-
2	839377	1	· Steering yoke		MO-XXXX/80274
	839441	1	· Steering yoke		MOXXXX/80275-
3	914169	1	· · Lubricating nipple		
4	814359	1	· · Ring		MO-XXXX/80274
	839195	1	· · Ring		MOXXXX/80275-
			Bulletin 48-23	48-23-EN	Seal Ring
5	814640	2	· · Bushing		
6	941872	2	· Stud		
7	897798	2	· Shoulder screw		
8	897244	2	· Washer		
9	943152	2	· Nut		
10	897731	1	· Bushing		MO-XXXX/80274
	832651	1	· Bushing		MOXXXX/80275-
11		1	· Bushing		MO-XXXX/80274
	832652	1	· Bushing		MOXXXX/80275-
12	814684	1	· Protective helmet		MO-XXXX/187079
	851267	1	· Protective helmet		MOXXXX/187080-
13	814641	1	· · Bushing		FOR 1/2"- 13UNC SCREW.
13A	851262	1	· · Bushing		FOR BEARING PIN WITH 2 BOLTS.
14	832608	1	· Plate		
15	804269	2	· Drive screw		
16		1	· Plug		MOXXXX/94050-
17	897745	1	· Gasket		MOXXXX/94050-
17A	852705	1	Pivot pin, BEARING TAP		(851263)
17					MOXXXX/187080-
					REPL BY 852705
17B	941807	2	Hex. socket screw		MOXXXX/187080-
18	956568	2	Hex. socket screw		SEE GROUP 9
19	897726	1	Sealing strip		
20	959967	4	Hexagon screw		
21	925256	1	O-ring		
22		1	Hull fitting		
23	897631	1	Exhaust bellows		
24	961675	2	Hose clamp		
25	814473	1	Rubber plug		
26		1	Plug		
27	897745	1	Gasket		
28	832598	1	Zinc anode		
29	959438	2	Hex. socket screw		
30	814301	1	Adjusting pin		
31	814357	2	Flange nut		
32	897831	2	Pivot pin		
33	941873	2	Hex. socket screw		
34	941670	2	Washer		
35	806310	1	Mounting kit		
36	804190	2	· Rubber ring		
37	191844	6	· Hexagon screw		
38	806624	3	· Striker plate		
39	875379	1	Rubber cushion		MO-XXXX/80274
	875531	1	Rubber cushion		MOXXXX/80275-
40	832565	2	· Gasket		
41	960142	2	· Washer		
42	950364	2	· Lock nut		
43		1	Spindle arm		MO-XXXX/80274
	839459	1	Spindle arm		MOXXXX/80275-

AQ170A, AQ170B

REF	PART NO.	QTY	DESCRIPTION	SEE SEC.	NOTES
44	955536	1	Hexagon screw		LATE TYPE WITH GROUND CABLE ON STEERING LEVER., MO-XXXX/80274
	955537	1	Hexagon screw		LATE TYPE WITH GROUND CABLE ON STEERING LEVER., MOXXXX/80275-
45	940097	1	Washer		LATE TYPE WITH GROUND CABLE ON STEERING LEVER.
46	831111	1	Grommet		SEE GROUP 2B
47	950352	2	Lock nut		
48	955893	2	Washer		
49	925063	1	O-ring		
50		1	Hose		
51	961668	2	Hose clamp		
52	839091	1	Protecting hose		
53	952635	1	Clamp		
54		X	CONTROL CABLE		SEE GROUP 9
55	897745	1	Gasket		
56	943426	6	Screw		
57	850418	6	O-ring		(814166)
58	190878	6	Washer		
59	940176	6	Hexagon nut		
60		1	PRIMARY SHAFT		REPLACED BY 1EA 832941 1EA 832439., MO-XXXX/62358
	832941	1	Spindle		MOXXXX/62359-
61	19258	1	Ball bearing		D = 55 MM MO-XXXX/62358
	11013	1	Ball bearing		D = 62 MM MOXXXX/62359-
62	914530	2	Snap ring		MO-XXXX/62358
	914533	2	Snap ring		MOXXXX/62359-
63	914462	1	Snap ring		
64	946242	1	Sealing ring		
65	946242	1	Sealing ring		MO-XXXX/62358
	958860	1	Sealing ring		MOXXXX/62359-
66		1	FLYWHEEL HOUSING		REPLACED BY 1EA 831619, 1EA 832941, 1EA 11013, 1EA 958860 , 2EA 914533., MO-XXXX/62358
		1	Flywheel housing		MOXXXX/62359-
67		1	Lubricator		
68	940160	4	Hexagon screw		L = 38 MM
69	941909	4	Spring washer		
70	940162	2	Hexagon screw		L = 38 MM
71	955535	4	Hexagon screw		L = 32 MM
72	942336	6	Spring washer		
73		1	Bracket		
74		1	Gasket		EARLY TYPE
75	952986	X	Hose		L = 130 MM SEE GROUP 2B
76	943482	2	Hose clamp		(951799) SEE GROUP 2B
77		X	CABLES AND CABLE TERMINALS		SEE GROUP 3
78	851766	1	Hose connection		SEE GROUP 4C
79	897824	1	Transport lock		FOR TRANSPORT.
80	944738	1	Plug		FOR TRANSPORT.
81	804429	1	Hose attachment		MOXXXX/94050-
82	943473	2	Hose clamp		(951789) MOXXXX/94050-
83	952969	X	Hose		L = 500 MM MOXXXX/94050-
	875192	1	Gasket kit		SEE GROUP 10