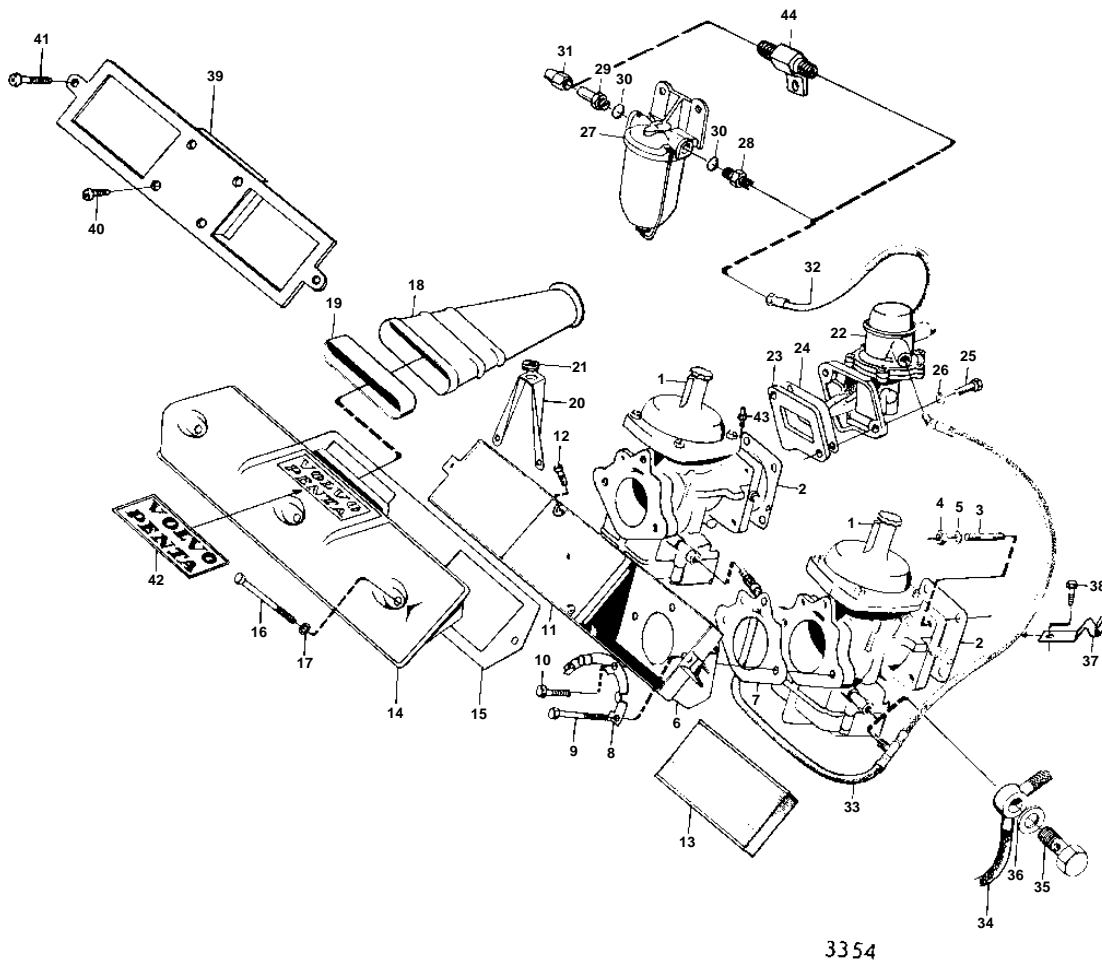


AQ130A, AQ130B, BB115A



**AQ130A, AQ130B, BB115A**

REF	PART NO.	QTY	DESCRIPTION	SEE SEC.	NOTES
1		2	Carburetor		
				12823	
2	418754	2	Gasket		
3		8	Stud		
4	950353	8	Lock nut		
5	941907	8	Spring washer		
6		1	Drip collector		
7	680642	2	Gasket		
8		2	Splash plate		
9	955524	4	Hexagon screw		L = 19 MM
10	955523	2	Hexagon screw		L = 16 MM
11		1	Housing		INCLUDED IN FUEL INJECTION PUMP.
12	950046	2	Cross recessed screw		INCLUDED IN FUEL INJECTION PUMP.
13		2	Flame shield		
14		1	Muffler		INCLUDED IN FUEL INJECTION PUMP.
15	824590	1	Gasket		INCLUDED IN FUEL INJECTION PUMP.
16		3	Screw		INCLUDED IN FUEL INJECTION PUMP.
17	941906	3	Spring washer		INCLUDED IN FUEL INJECTION PUMP.
18		1	Air inlet		INCLUDED IN FUEL INJECTION PUMP.
19		1	Rubber gaiter		INCLUDED IN FUEL INJECTION PUMP.
20		1	Bracket		INCLUDED IN FUEL INJECTION PUMP.
21		1	Grommet		INCLUDED IN FUEL INJECTION PUMP.
22	831092	1	Fuel pump		
				12820	
23	460678	1	Spacer		
24	61830	2	Gasket		
25		2	Screw		
26	941907	2	Spring washer		
27		1	Fuel filter		
				12808	
28		1	Nipple		
29	191397	1	Nipple		
30	957176	2	Gasket		
31	954322	1	Fitting nut		
32	813007	1	Fuel hose		
33		1	Fuel hose		EARLY TYPE
34		1	Fuel hose		LATE TYPE
35	943500	2	Hollow screw		LATE TYPE
36	957171	4	Gasket		LATE TYPE
37		1	Clamp		
38	940136	1	Hexagon screw		SEE GROUP 2B
39		1	Retainer		INCLUDED IN FUEL INJECTOR.
40		4	Cross recessed screw		INCLUDED IN FUEL INJECTOR.
41	950046	2	Cross recessed screw		INCLUDED IN FUEL INJECTOR.
42		1	Decal		
43	943513	X	Nipple		Accessory.
44		1	Joint nipple		ALT