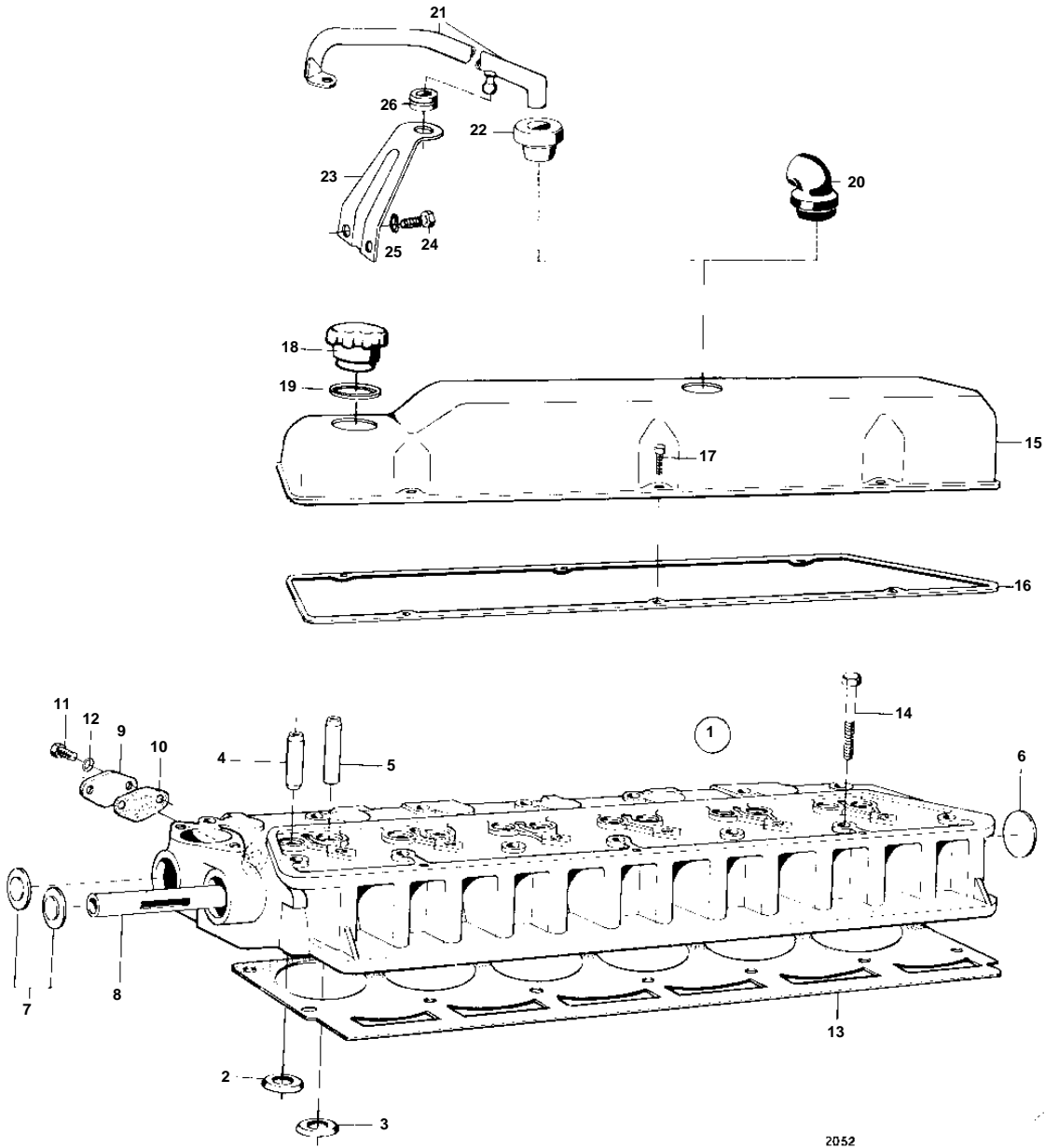


AQ165A



AQ165A

REF	PART NO.	QTY	DESCRIPTION	NOTES
1		1	CYLINDER HEAD	AQ140A EXCL USA MO-7263/XXXX. AQ120B EXCL USA MO 903/XXXX. AQ140A USA MO-1400/XXXX. AQ120B USA MO-1705/XXXX.
		1	Cylinder head	FOR UNLEADED GAS.
2		6	· Valve seat, INTAKE	
3		6	· Valve seat, EXHAUST	MO-5922/XXXX
4	419652	6	· Valve guide, INTAKE	
5	419653	6	· Valve guide, EXHAUST	
6	192212	1	· Expansion plug	
7	192211	2	· Expansion plug	
8		1	· Tube	
9	418213	1	Flange	
10	418771	1	Gasket	(418214)
11	955512	2	Hexagon screw	
12	941906	2	Spring washer	
13	430107	1	Gasket	STD
		1	Gasket	AQ165A USA SPEC 9968.
14	191523	14	Screw	
15		1	Cover	
16	430039	1	Gasket	
17	950045	6	Cross recessed screw	
18	420292	1	Oil filler cap	
19	940096	1	Gasket	
20	831162	1	Rubber hook	
21		1	Breather pipe	REPLACED BY 1EA 840265 1EA 829556 2EA 955274 1EA 829558 1EA 829557 1EA 840266 1EA 941686 3EA 957179 1EA 16374.
22		1	Rubber bushing	REPLACED BY 1EA 840265 1EA 829556 2EA 955274 1EA 829558 1EA 829557 1EA 840266 1EA 941686 3EA 957179 1EA 16374.
23		1	Bracket	REPLACED BY 1EA 840265 1EA 829556 2EA 955274 1EA 829558 1EA 829557 1EA 840266 1EA 941686 3EA 957179 1EA 16374.
24	955512	2	Hexagon screw	REPLACED BY 1EA 840265 1EA 829556 2EA 955274 1EA 829558 1EA 829557 1EA 840266 1EA 941686 3EA 957179 1EA 16374.
25	941906	2	Spring washer	REPLACED BY 1EA 840265 1EA 829556 2EA 955274 1EA 829558 1EA 829557 1EA 840266 1EA 941686 3EA 957179 1EA 16374.
26		1	Grommet	REPLACED BY 1EA 840265 1EA 829556 2EA 955274 1EA 829558 1EA 829557 1EA 840266 1EA 941686 3EA 957179 1EA 16374.