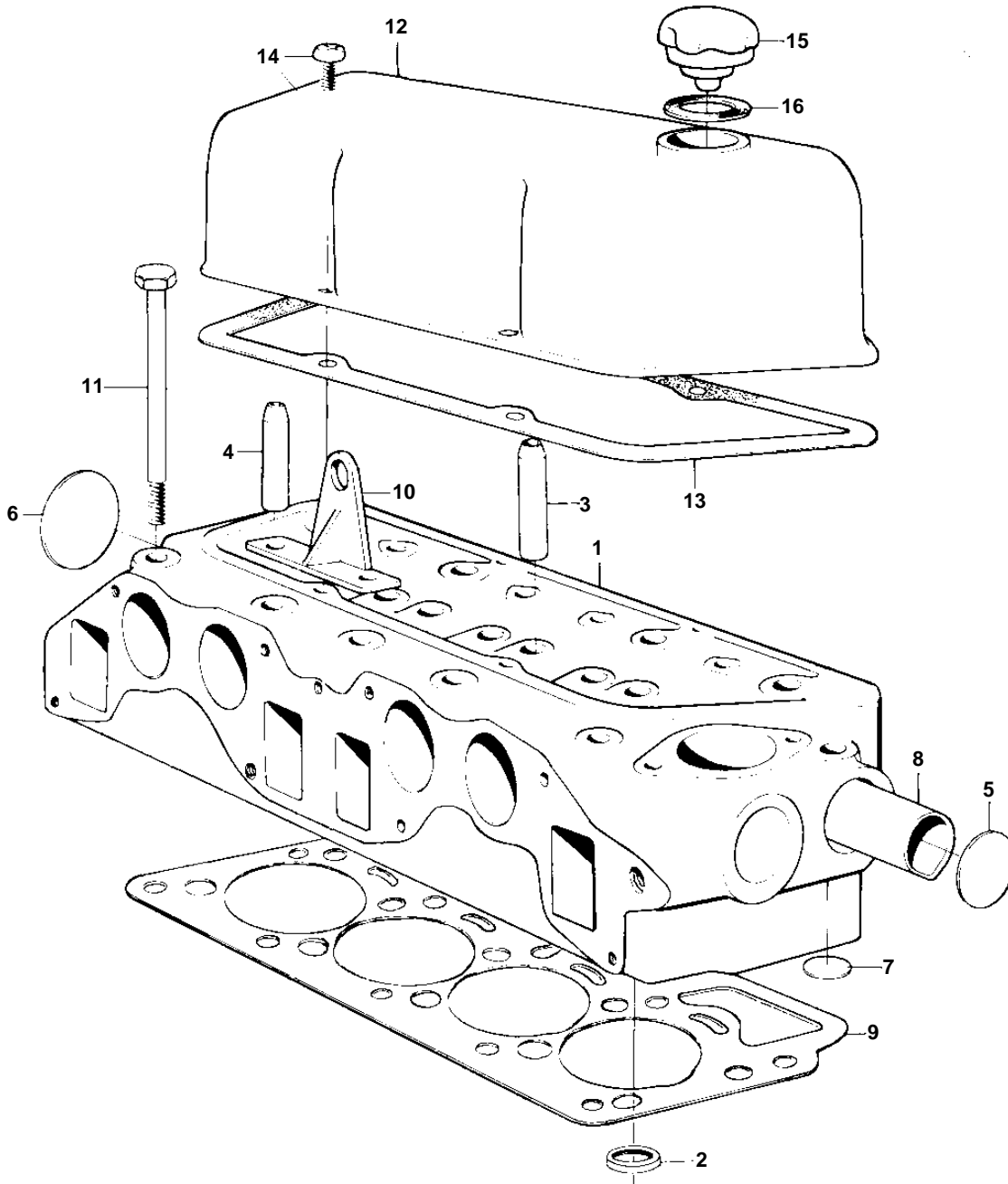


AQ115A



2104

## AQ115A

| REF | PART NO. | QTY | DESCRIPTION            | NOTES  |
|-----|----------|-----|------------------------|--|
| 1   |          | 1   | CYLINDER HEAD          | REPLACED BY 1EA 831656, 1EA 462623.                |
| 2   |          | 4   | · Valve seat, INTAKE   |  |
|     |          | 4   | · Valve seat, EXHAUST  | AQ115B, AQ130A MO-15301/XXXX. AQ130B MO-1400/XXXX. |
| 3   | 419652   | 4   | · Valve guide, INTAKE  |  |
| 4   | 419653   | 4   | · Valve guide, EXHAUST |  |
| 5   | 192211   | 2   | · Expansion plug       |  |
| 6   | 192212   | 1   | · Expansion plug       |  |
| 7   | 192426   | 1   | · Expansion plug       | AQ115A, AQ130A MO-16931/XXXX. AQ130B MO-1470/XXXX. |
| 8   |          | 1   | · Tube                 |  |
| 9   | 419310   | 1   | Cylinder head gasket   |  |
|     | 875543   | 1   | Cylinder head gasket   | AQ115A COMPRESSION 8,4:1.                          |
| 10  |          | 1   | LIFT EYE               |  |
| 11  | 191523   | 10  | Screw                  |  |
| 12  |          | 1   | Valve cover            |  |
| 13  | 419678   | 1   | Gasket                 |  |
| 14  | 950045   | 4   | Cross recessed screw   |  |
| 15  | 420292   | 1   | Oil filler cap         |  |
| 16  | 940096   | 1   | Gasket                 |  |