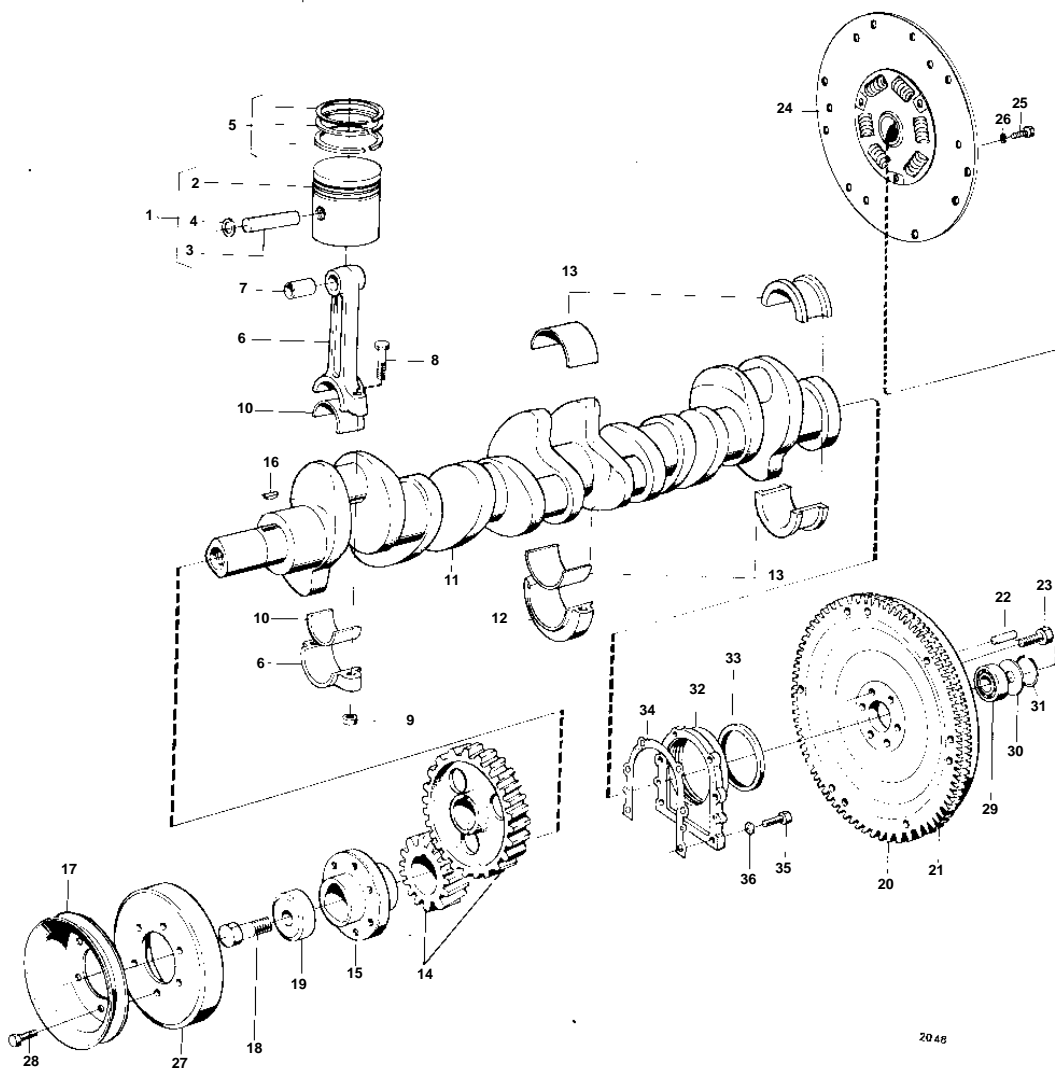


BB170B



**BB170B**

REF	PART NO.	QTY	DESCRIPTION	SEE SEC.	NOTES
1		6	Piston kit		BB170B MO-XXXX/89352., STD D
		6	Piston kit		BB170B MOXXXX/89353-., FOR BRACKET 829839 WITH 8 HOLES., STD D (272008)
			Bulletin 41-02	41-02-EN	Piston Rings
1		6	Piston kit		BB170B MO-XXXX/89352., STD D + 0,03 MM
	272057	6	Piston kit		BB170B MOXXXX/89353-., FOR BRACKET 829839 WITH 8 HOLES., (272009)
			Bulletin 41-02	41-02-EN	Piston Rings
1	272004	6	Piston kit		BB170B MO-XXXX/89352., OVER SIZE 0,75 MM
	272059	6	Piston		BB170B MOXXXX/89353-., AQ125A MO 7546501/XXXX-. AQ125A USA MO 7545817/XXXX-., (272010)
			Bulletin 41-02	41-02-EN	Piston Rings
2		6	· PISTON		
3		6	· Piston pin		BB170B MO-XXXX/89352., STD D
		6	· Piston pin		BB170B MOXXXX/89353-., STD D
		6	· Piston pin		BB170B MO-XXXX/89352., OVER SIZE 0,05 MM
		6	· Piston pin		BB170B MOXXXX/89353-., OVER SIZE 0,05 MM
4	914510	12	· Snap ring		BB170B MO-XXXX/89352.
		12	· Snap ring		BB170B MOXXXX/89353-., (945848)
5	275334	6	· Piston ring		BB170B MO-XXXX/89352., STD D (275306)
		6	· Piston ring kit		BB170B MOXXXX/89353-., STD D
		6	· Piston ring kit		BB170B MO-XXXX/89352., OVER SIZE 0,75 MM (275307)
		6	· Piston ring kit		BB170B MOXXXX/89353-., OVER SIZE 0,75 MM
6		6	Connecting rod		BB170B MO-XXXX/89352.
	463021	6	Connecting rod		BB170B MOXXXX/89353-., MO-XXXX/107004
	1219237	6	Connecting rod		BB170B MOXXXX/89353-., MOXXXX/107005-
7		6	· Bushing		BB170B MO-XXXX/89352., STD D
		6	· Bushing		BB170B MOXXXX/89353-., STD D
		6	· Bushing		BB170B MO-XXXX/89352., OVER SIZE 0,4 MM
		6	· Bushing		BB170B MOXXXX/89353-., OVER SIZE 0,4 MM
8		12	· Screw		BB170B MO-XXXX/89352.
		12	· Screw		BB170B MOXXXX/89353-.
9		12	· Nut		BB170B MO-XXXX/89352.
	463643	12	· Nut		BB170B MOXXXX/89353-.
10	271054	1	Big-end bearing kit		BB170B MO-XXXX/89352., STD D
		1	Big-end bearing kit		BB170B MOXXXX/89353-., STD D
		1	Big end bearing kit		BB170B MO-XXXX/89352., UNDER SIZE 0,25 MM
	271067	1	Big-end bearing kit		BB170B MOXXXX/89353-., UNDER SIZE 0,25 MM
		1	Main bearing kit		BB170B MO-XXXX/89352., UNDER SIZE 0,50 MM
		1	Big end bearing kit		BB170B MOXXXX/89353-., UNDER SIZE 0,50 MM
11		1	Crankshaft		BB170B MO-XXXX/89352.
		1	Crankshaft		BB170B MOXXXX/89353-.
13		1	Main bearing kit		STD D
		1	Main bearing kit		UNDER SIZE D 0,25 MM
		1	Main bearing kit		UNDER SIZE D 0,50 MM
14		1	GEAR KIT	12768	
15		1	Hub		
16		1	Woodruff key		
17		1	Pulley		
18		1	Screw		
19		1	Washer		
20		1	Flywheel		BB170B MO-XXXX/89352.
		1	Flywheel		BB170B MOXXXX/89353-.
21	430057	1	· Gear ring		
22	191873	3	· Locating pin		
23		6	Hexagon screw		BB170B MO-XXXX/89352.
	946379	8	Hexagon screw		BB170B MOXXXX/89353-.
24	841893	1	Absorber		(824991)
25	940135	6	Hexagon screw		BB170B MO-XXXX/89352.
	955295	6	Hexagon screw		BB170B MOXXXX/89353-.
26	941907	6	Spring washer		
27		1	Absorber		
28	955523	6	Hexagon screw		

