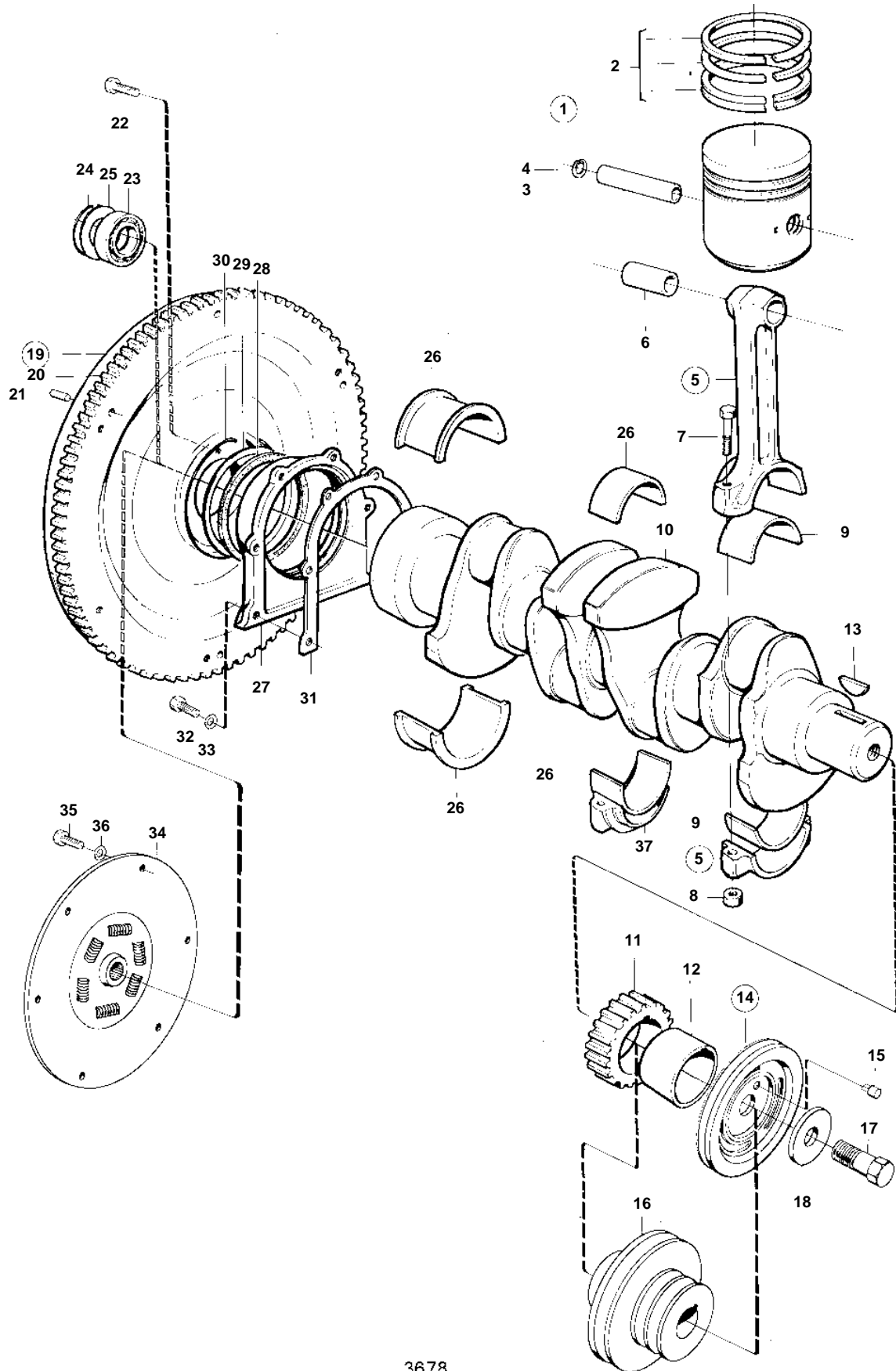


AQ115A



3678

**AQ115A**

REF	PART NO.	QTY	DESCRIPTION	SEE SEC.	NOTES
1		4	Piston kit		AQ115A MO-XXXX/86908., STD D
		4	Piston kit		AQ115A MOXXXX/86909-., FOR BRACKET 829839 WITH 8 HOLES., STD D (272008)
			Bulletin 41-02	41-02-EN	Piston Rings
1		4	Piston kit		AQ115A MO-XXXX/86908., STD D + 0,03 MM
	272057	4	Piston kit		AQ115A MOXXXX/86909-., FOR BRACKET 829839 WITH 8 HOLES., (272009)
			Bulletin 41-02	41-02-EN	Piston Rings
1					STD D + 0,03 MM
	272004	4	Piston kit		AQ115A MO-XXXX/86908., OVER SIZE 0,75 MM
	272059	4	Piston		AQ115A MOXXXX/86909-., AQ125A MO 7546501/XXXX-. AQ125A USA MO 7545817/XXXX-., (272010)
			Bulletin 41-02	41-02-EN	Piston Rings
1					OVER SIZE 0,75 MM
2	275334	4	· Piston ring		AQ115A MO-XXXX/86908., STD D (275306)
		4	· Piston ring kit		AQ115A MOXXXX/86909-., STD D
		4	· Piston ring kit		AQ115A MO-XXXX/86908., OVER SIZE 0,75 MM (275307)
		4	· Piston ring kit		AQ115A MOXXXX/86909-., OVER SIZE 0,75 MM
3		4	· Piston pin		AQ115A MO-XXXX/86908., STD D
		4	· Piston pin		AQ115A MOXXXX/86909-., STD D
		4	· Piston pin		AQ115A MO-XXXX/86908., OVER SIZE 0,05 MM
		4	· Piston pin		AQ115A MOXXXX/86909-., OVER SIZE 0,05 MM
4	914510	8	· Snap ring		AQ115A MO-XXXX/86908.
		8	· Snap ring		AQ115A MOXXXX/86909-., (945848)
5		4	Connecting rod		AQ115A MO-XXXX/86908.
	463021	4	Connecting rod		AQ115A MOXXXX/86909-., MO-XXXX/107000
6		4	· Bushing		AQ115A MO-XXXX/86908., STD D
		4	· Bushing		AQ115A MOXXXX/86909-., STD D
		4	· Bushing		AQ115A MO-XXXX/86908., OVER SIZE 0,4 MM
		4	· Bushing		AQ115A MOXXXX/86909-., OVER SIZE 0,4 MM
7		8	· Screw		AQ115A MO-XXXX/86908.
		8	· Screw		AQ115A MOXXXX/86909-.
8		8	· Nut		AQ115A MO-XXXX/86908.
	463643	8	· Nut		AQ115A MOXXXX/86909-.
9		1	Big end bearing kit		AQ115A MO-XXXX/86908., STD D
		1	Big-end bearing kit		AQ115A MOXXXX/86909-., STD D
		1	Big-end bearing kit		AQ115A MO-XXXX/86908., UNDER SIZE 0,25 MM
	271064	1	Big-end bearing kit		AQ115A MOXXXX/86909-., UNDER SIZE 0,25 MM
		1	Big end bearing kit		AQ115A MO-XXXX/86908., UNDER SIZE 0,50 MM
	271065	1	Big-end bearing kit		AQ115A MOXXXX/86909-., UNDER SIZE 0,50 MM
10		1	Crankshaft		AQ115A MO-XXXX/86908.
		1	Crankshaft		AQ115A MOXXXX/86909-.
11		1	GEAR KIT	12766	
12		1	Hub		
13		1	Key		
		1	Woodruff key		
14		1	Pulley		STD
15		1	· Locating pin		
16		1	Pulley		SPEC VERSION
17		1	Screw		AQ115A MO-XXXX/86908.
		1	Screw		AQ115A MOXXXX/86909-.
18		1	Washer		
19		1	Flywheel		AQ115A MO-XXXX/86908.
		1	Flywheel		AQ115A MOXXXX/86909-.
20	1326333	1	· Gear ring		(419633)
21	191873	3	· Locating pin		AQ115A MOXXXX/86909-.
22		6	Hexagon screw		AQ115A MO-XXXX/86908.
	946379	8	Hexagon screw		AQ115A MOXXXX/86909-.
23	11009	1	Ball bearing		
24	191848	1	Snap ring		
25		1	Protecting plate		
26		1	Main bearing kit		STD D
		1	Main bearing kit		UNDER SIZE 0,25 MM

**AQ115A**

REF	PART NO.	QTY	DESCRIPTION	SEE SEC.	NOTES
26		1	Main bearing kit		UNDER SIZE 0,50 MM
27		1	Sealing flange		
28	418621	1	Felt ring		
29	418625	1	Retainer		
30		1	Lock ring		
31	430134	1	Gasket		(418257)
32	940100	6	Hexagon screw		
33	941906	6	Spring washer		
34	841896	1	Absorber		FOR ENGINE WITH AQ DRIVE 100, 250 OR REDUCTION REVERSE GEAR., (831777)
	831778	1	Absorber		FOR ENGINE WITH AQ DRIVE 100B, 270, 280 OR REVERSE GEAR TYPE BORG WARNER.
35		3	Hexagon screw		AQ115A MO-XXXX/86908.
	955295	6	Hexagon screw		AQ115A MOXXXX/86909-.
36	941907	3	Spring washer		AQ115A MO-XXXX/86908.
	941907	6	Spring washer		AQ115A MOXXXX/86909-.
37			BEARING CAP	12737	