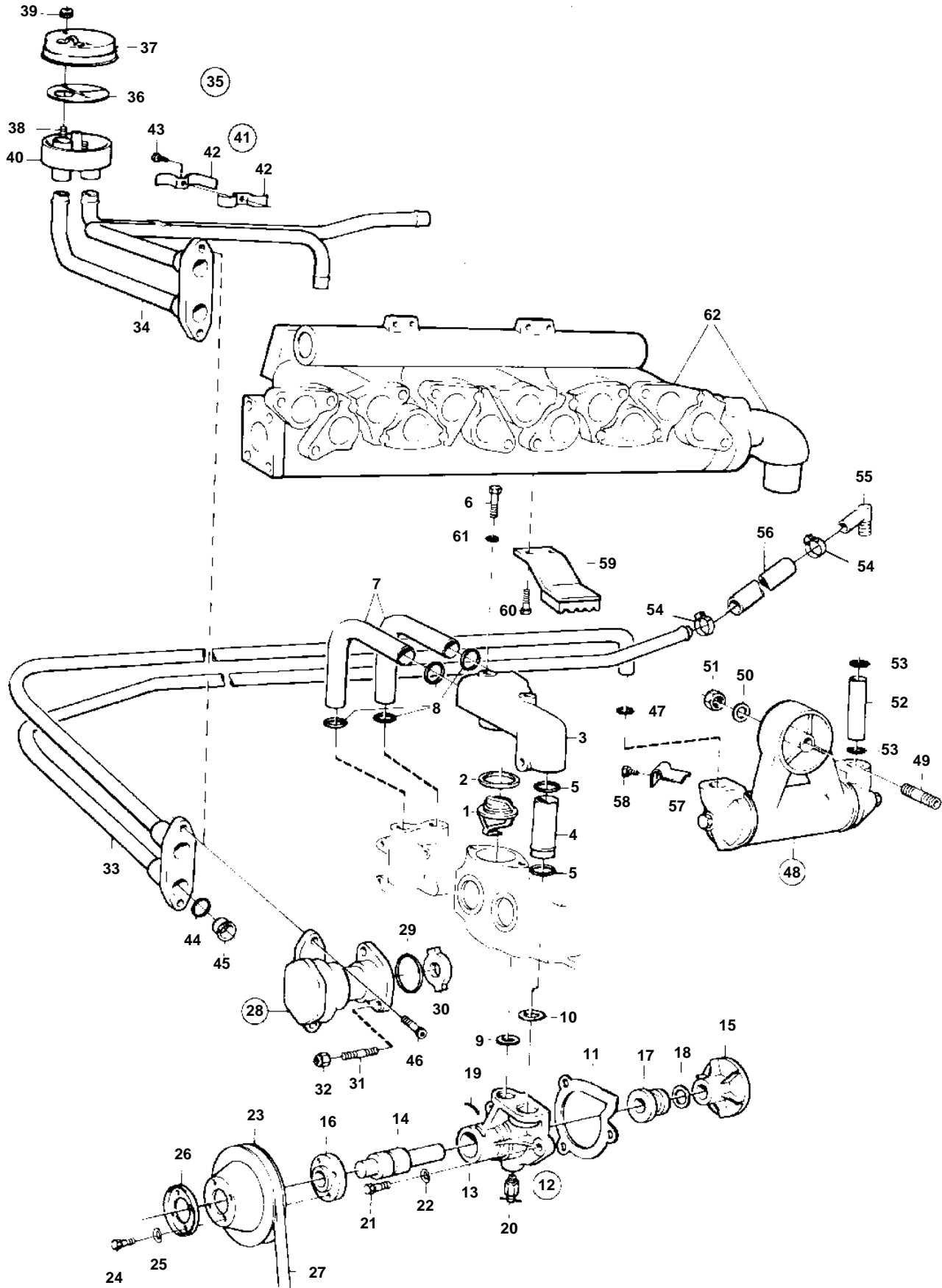


BB165A



5105

BB165A

REF	PART NO.	QTY	DESCRIPTION	SEE SEC.	NOTES
1	875791	1	Thermostat kit		
2	416033	1	Sealing ring		(418361)
3	831024	1	Thermostat housing		
4		1	Coolant pipe		
5	418412	2	Sealing ring		
6	940136	2	Hexagon screw		
7		2	Coolant pipe		
8	418412	4	Sealing ring		
9	430018	1	Sealing ring		STD
	430272	1	Sealing ring		D42A PP SPEC. 16053, 867638.
10	430172	1	Sealing ring		STD
		1	Sealing ring		D42A PP SPEC. 16053, 867638.
11	430017	1	Gasket		
12	831742	1	Water pump		
13		1	· HOUSING		
14	831720	1	· Ball bearing		
15	831438	1	· Turbine rotor		
16		1	· Hub		
17	460839	1	· Seal		
18	421306	1	· Wear ring		
19	415058	1	· Locking wire		
20	82744	1	Shut-off cock		
21	940159	3	Hexagon screw		
22	941907	3	Spring washer		
23		1	Pulley		
24	956567	4	Hex. socket screw		
25	941907	4	Spring washer		
26		1	Washer		
27	834548	1	V-belt		SEE GROUP 3
28	831178	1	Sea water pump, WATER PUMP		
				12779	
29	925066	1	O-ring		
30	831009	1	Cross piece		
31		2	Stud		
32	950352	2	Lock nut		
33		1	Coolant pipe		MO-XXXX/69347
44	831617	2	Sealing ring		
45	423187	2	Ring retainer		
46	959437	2	Hex. socket screw		
47	418412	1	Sealing ring		
48	831047	1	Oil cooler, OIL COOLER		
				12780	
49		1	Nipple		SEE GROUP 2A
50	824589	1	Washer		
51	191701	1	Nut		
52	831071	1	Pipe		
53	418412	2	Sealing ring		
54	943475	2	Hose clamp		(951791)
55		1	Elbow nipple		SEE GROUP 4A
56	827258	1	Connecting hook		
57		1	LOCK PLATE		ÅKERMAN., EARLY TYPE
58		1	Hexagon screw		EARLY TYPE
61	120265	2	Washer		
62		1	INDUCTION- AND EXHAUST MANIFOLD	12790	
		1	WATER COOLED EXHAUST LINE		SEE GROUP 9