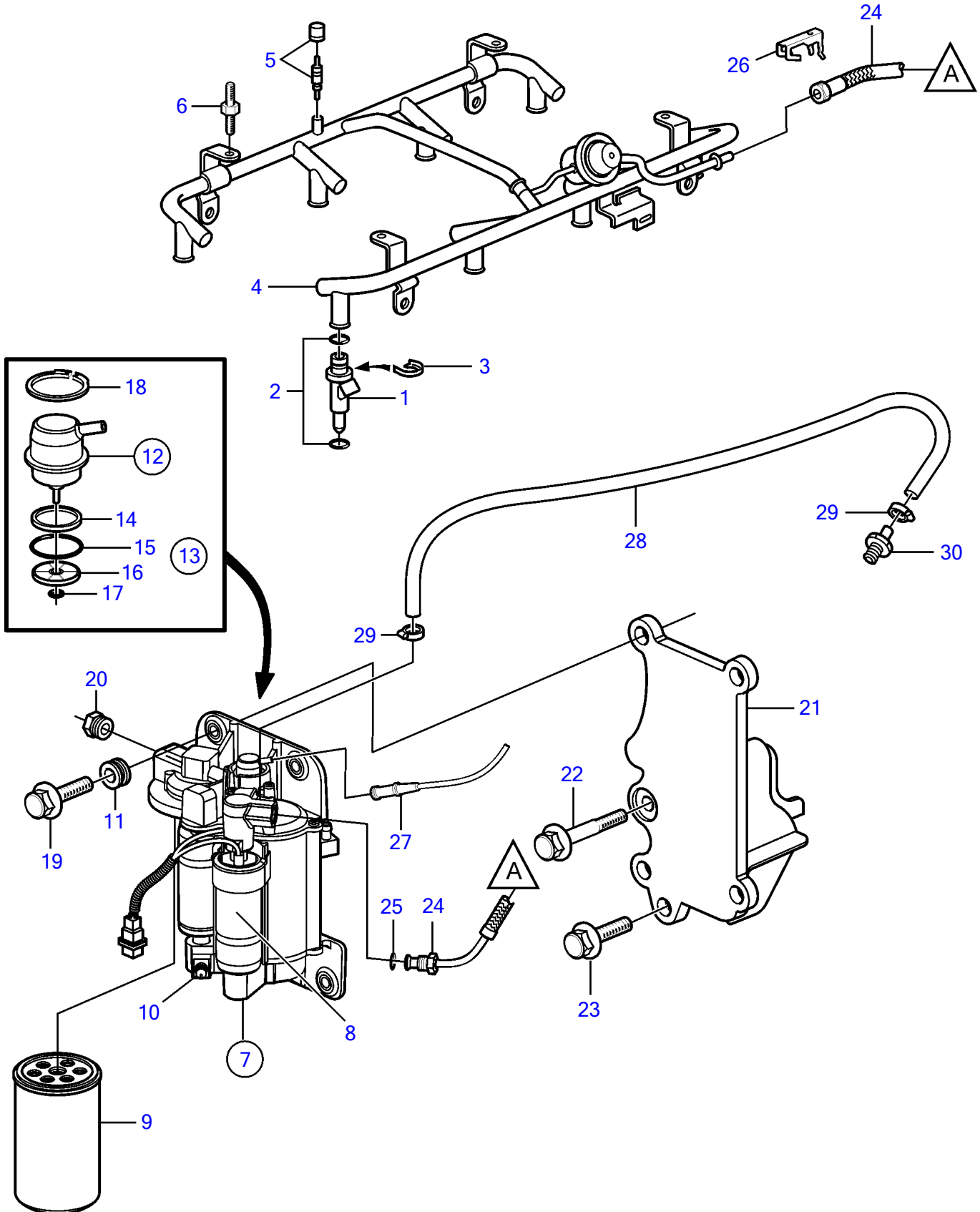


8.1IPSE-JF



8.1IPSE-JF

REF	PART NO.	QTY	DESCRIPTION	SEE SEC.	NOTES
1	3861278	8	Injector		
2	3861291	1	Sealing kit		
3	3861293	1	Retainer kit		
4	3817696	1	Rail, fuel		
5	3857698	1	Valve		
		1	• Cap		not sold separately
6	3861320	2	Stud		
7	3594785	1	Fuel pump		
8	3817328	1	• Service kit		High pressure fuel pump
9	3847644	1	• Fuel filter		
			• Bulletin P-23-3-4	P-23-3-4-EN	High Capacity Fuel Filter, Gas
			• Bulletin p-18-8-1	p-18-8-1-EN	Volvo Penta Ethanol Fuel treatment
10	3853616	1	• Protective cap		
11	3861396	4	• Rubber bushing		
12	3861279	1	• Pressure regulator		
13	3861268	1	• Sealing kit		
14		1	• • Seal		not sold separately
15		1	• • O-ring		not sold separately
16		1	• • Filter		not sold separately
17		1	• • O-ring		not sold separately
18		1	• • Snap ring		not sold separately
19	982702	4	Flange screw		
20	3857816	1	Bushing		
21	3860956	1	Bracket		
22	965190	1	Flange screw		
23	965221	1	Flange screw		
24	3589017	1	Fuel pipe		
25	3850424	1	• O-ring		
26	3887198	1	Locking clip		
27	3589018	1	Hose		
28	3860284	1	Hose		
29	3860413	2	Hose clamp		
30	3860290	1	Nipple		