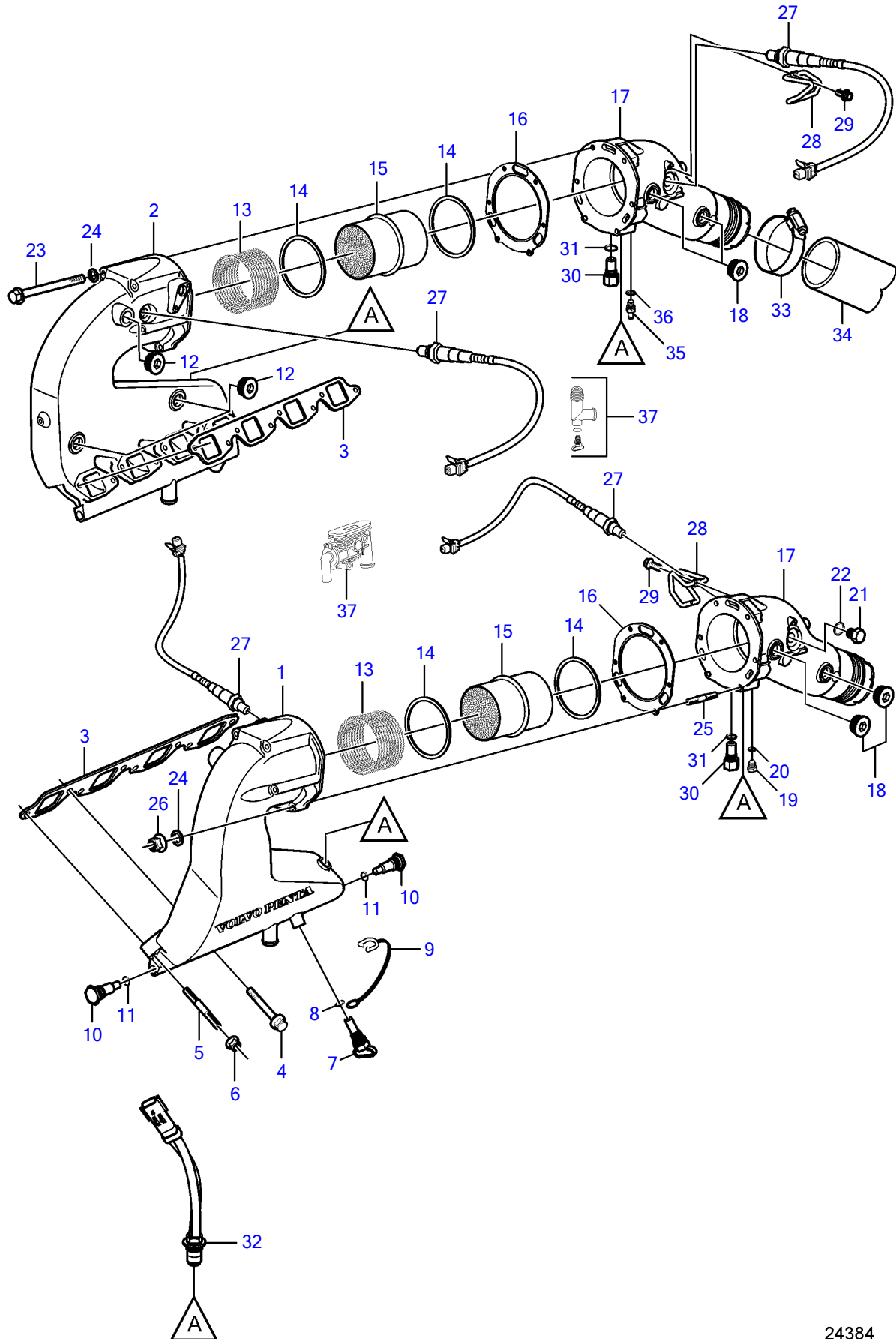


8.1IPSCE-PF, 8.1IPSCE-Q



## 8.1IPSCE-PF, 8.1IPSCE-Q

REF	PART NO.	QTY	DESCRIPTION	SEE SEC.	NOTES
1	3848811	1	Manifold		
2	3848809	1	Manifold		
3	3852472	2	Gasket		
4	946671	12	Flange screw		
5	982974	4	Stud		
6	945408	4	Flange nut		
7	21194285	2	Anode, reference		
8	976970	2	• O-ring		
9	3849892	2	• Retainer		
10	21203185	4	Plug		
11	977000	4	• O-ring		
12	21166232	6	Plug		
13	3889967	2	Support sleeve		
14	3889966	4	Sealing ring		
15	3889995	2	Catalytic converter		
16	40005439	2	Gasket		
17	3594038	2	Exhaust manifold		
18	21166232	4	Plug		
19	21118621	1	Plug		
20	976970	1	• O-ring		
21	960632	2	Plug		
22	977751	2	Gasket		
23	968893	8	Flange screw		
24	941907	12	Spring washer		
25	953058	4	Stud		
26	945408	4	Flange nut		
27	3883724	4	Sensor, oxygen		
		4	• Sealing washer		not sold separately
28	3889435	2	Bracket		
29	965175	2	Flange screw		
30	21194290	2	Anode		
31	980998	2	• O-ring		
32	3889526	2	Sensor, temperature		
33	3863443	4	Hose clamp		
34		1	Exhaust pipe	22264	
35	21115767	1	Adapter		
36	976970	1	• O-ring		
37		2	Thermostat		See "Exhaust Thermostat system" page
		2	Fitting		