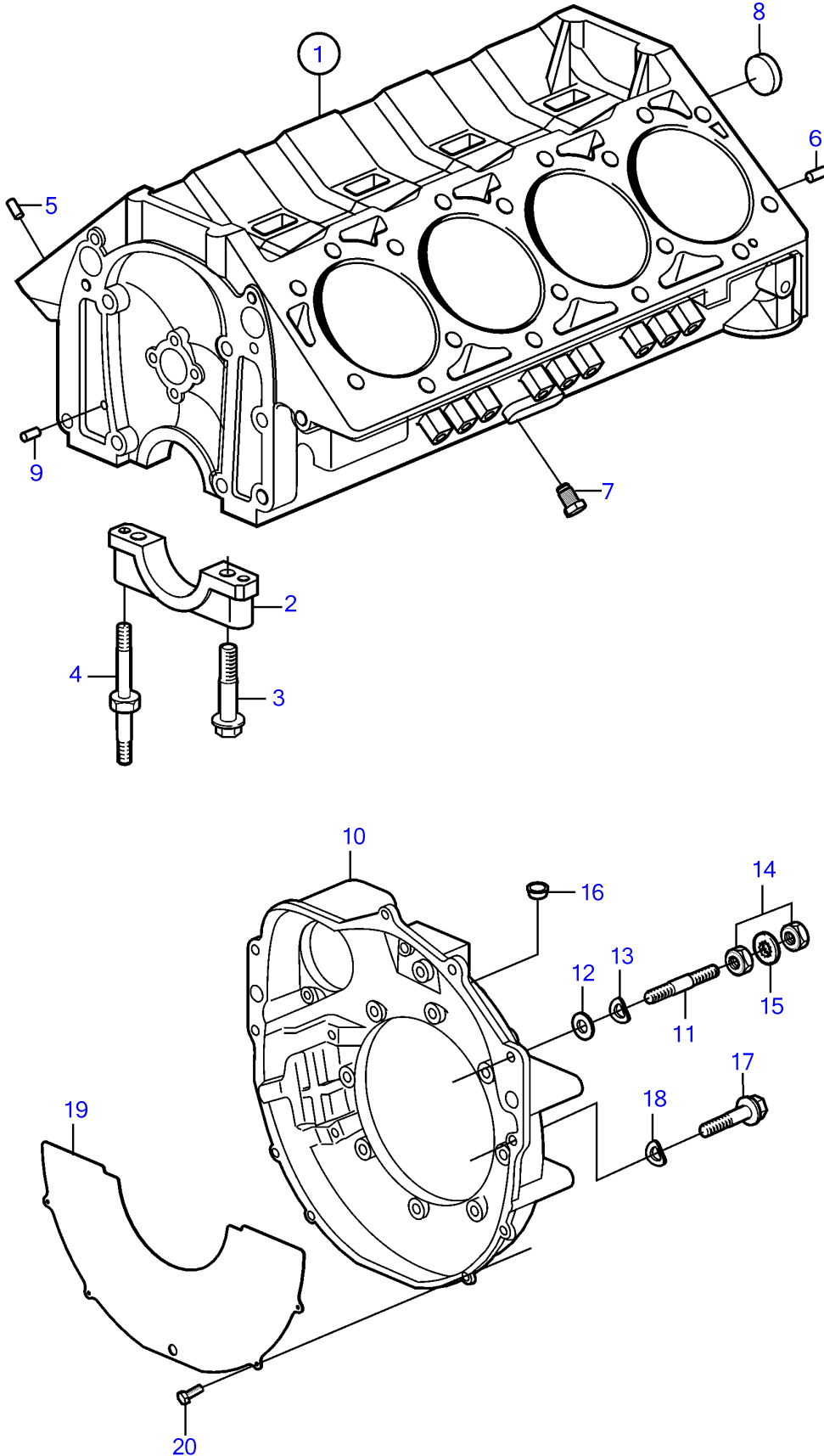


8.1GiI-H, 8.1GXII-G



8.1GII-H, 8.1GXII-G

REF	PART NO.	QTY	DESCRIPTION	NOTES
1		1	Cylinder block	
2		5	Bearing cap	
3	3861256	10	Bolt	
4	3861331	10	Stud	
5	3861306	4	Locating pin	
6	3856001	2	Pin	
7	3861669	2	Plug	
8	3853348	1	Core plug	
9	3855972	2	Pin	
10		1	Flywheel housing	
11	982676	2	Stud	
12	980933	2	Washer	
13	982475	2	Spring washer	
14	971074	6	Hexagon nut	
15	982679	4	Toothed washer	
16	943589	1	Plug	
17	3863139	1	Screw	L=35mm
	965223	2	Flange screw	L=75mm
18	941908	3	Spring washer	
19	3588612	1	Cover plate	
20	3852421	4	Screw	