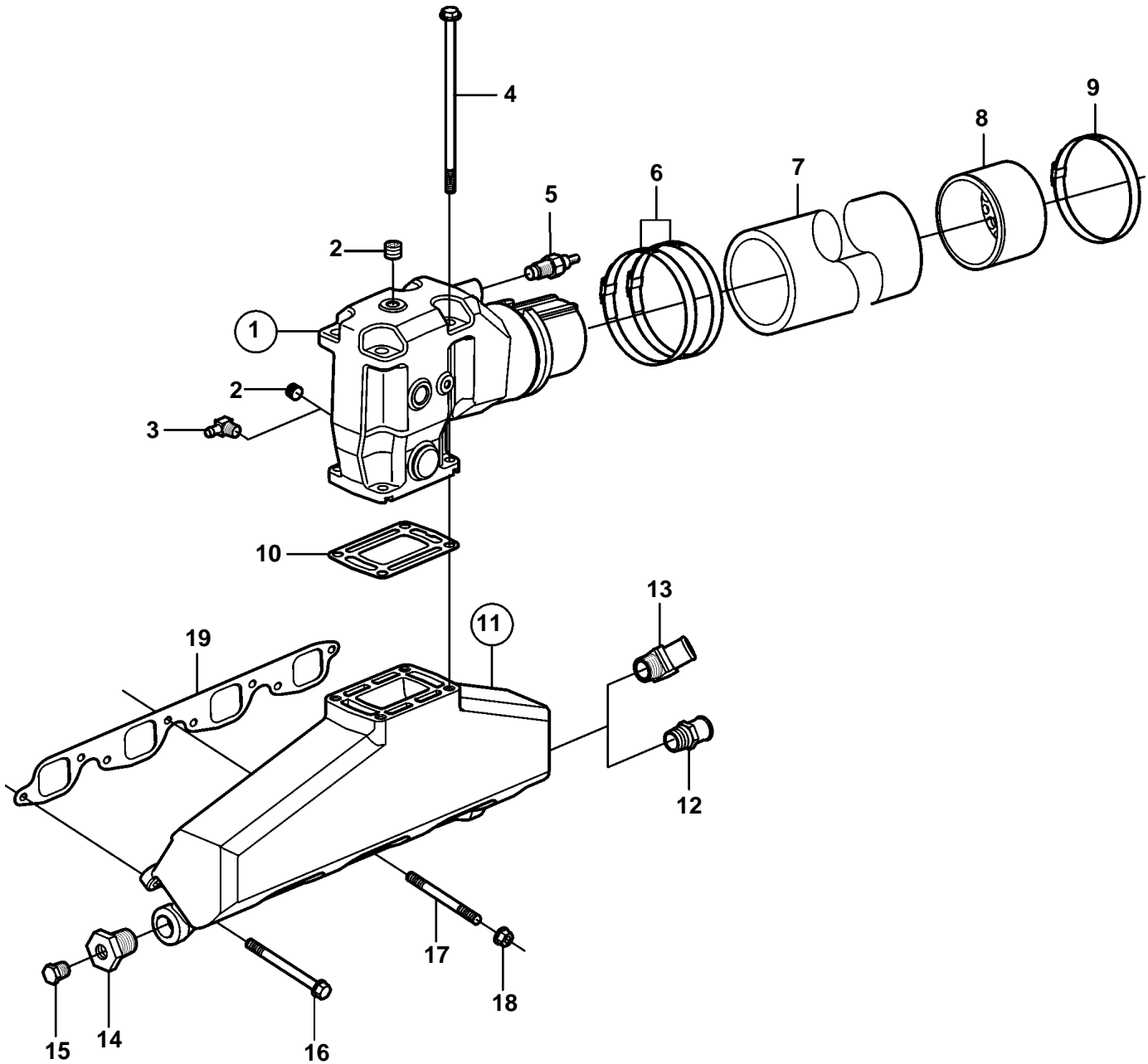


8.1GiI-G, 8.1GXil-F



8.1GiI-G, 8.1GXil-F

| REF | PART NO. | QTY | DESCRIPTION | NOTES |
|-----|----------|-----|--------------------|---------------------------|
| 1 | 3863061 | 2 | Exhaust riser | |
| 2 | 3850740 | 4 | · Plug | |
| 3 | 3853597 | 1 | Elbow | |
| 4 | 3808361 | 8 | Flange screw | |
| 5 | 3862500 | 2 | Temperature sensor | |
| 6 | | X | Clamp | |
| 7 | | X | Exhaust hose | |
| 8 | 3588016 | 2 | Exhaust pipe | |
| 9 | 3863443 | 2 | Clamp | |
| 10 | 3863191 | 1 | Gasket kit | Contains 2 riser gaskets. |
| 11 | 3860855 | 2 | Manifold | |
| 12 | 3861159 | 9 | Nipple | |
| 13 | 3807044 | X | Fitting | 45° |
| 14 | 3861160 | 2 | Fitting | |
| 15 | 3850802 | 2 | Plug | |
| 16 | 945444 | 8 | Flange screw | |
| 17 | 982974 | 8 | Stud | |
| 18 | 945408 | 8 | Flange nut | |
| 19 | 3852472 | 2 | Gasket | |