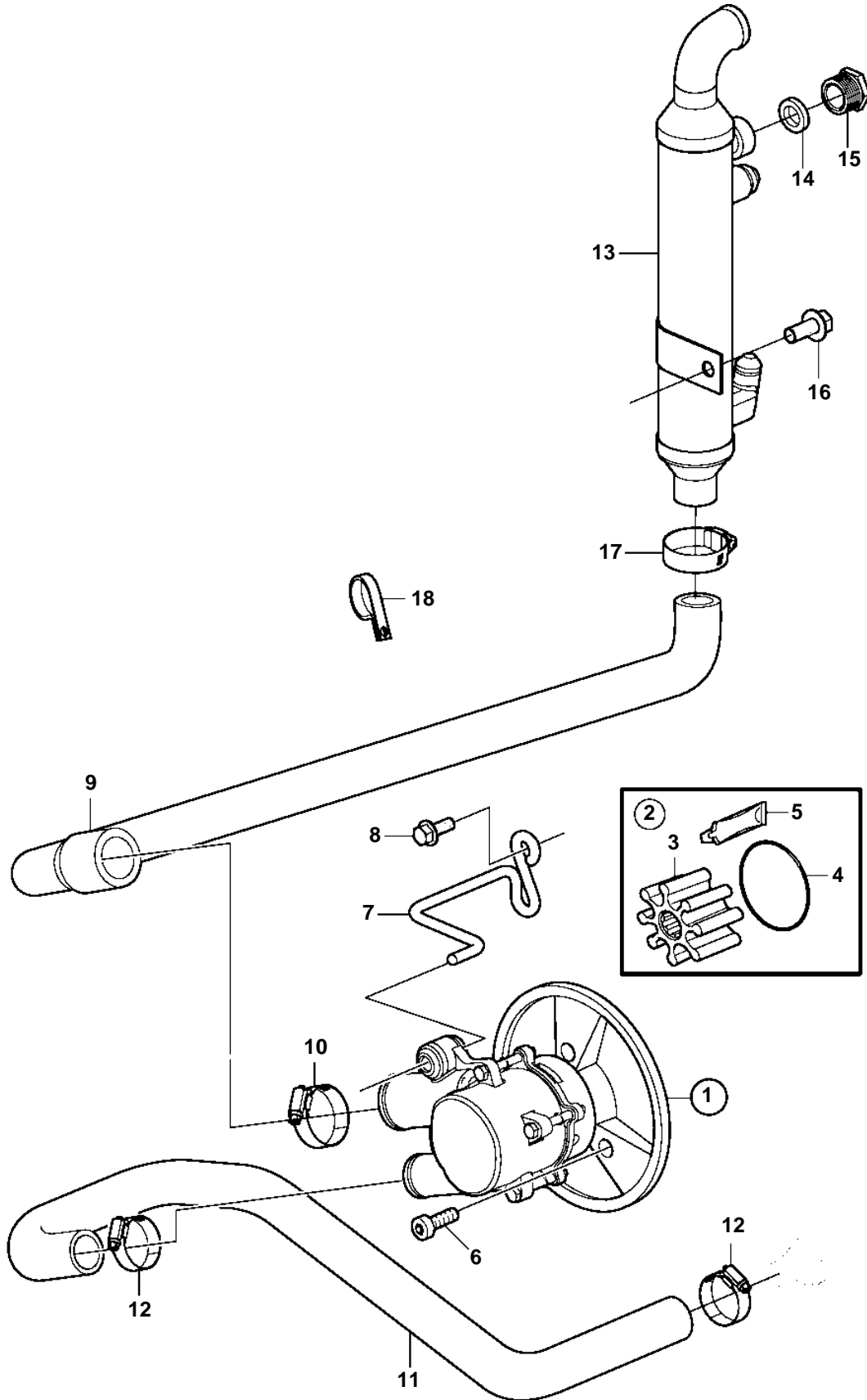


8.1GiI-G, 8.1GXil-F



8.1Giil-G, 8.1GXil-F

REF	PART NO.	QTY	DESCRIPTION	NOTES
1	3812518	1	Sea water pump	
2	3842786	1	· Impeller kit	
3		1	· · Impeller	
4	3858938	1	· · O-ring	
5		1	· · Lubricantglycerin	
6	959240	3	Screw	
7	3817686	1	Stay	
8	946441	2	Screw	
9	3818476	1	Hose	
10	3863440	1	Clamp	
11	3817819	1	Hose	
12	3863441	2	Clamp	
13	3808226	1	Oil cooler	
	3817834	1	Oil cooler	5000V
14	3862079	1	· Gasket	
15	3862656	1	· Cap	
16	3853389	1	Screw	
17	3863440	1	Clamp	
18	3853312	1	Clamp, loop	