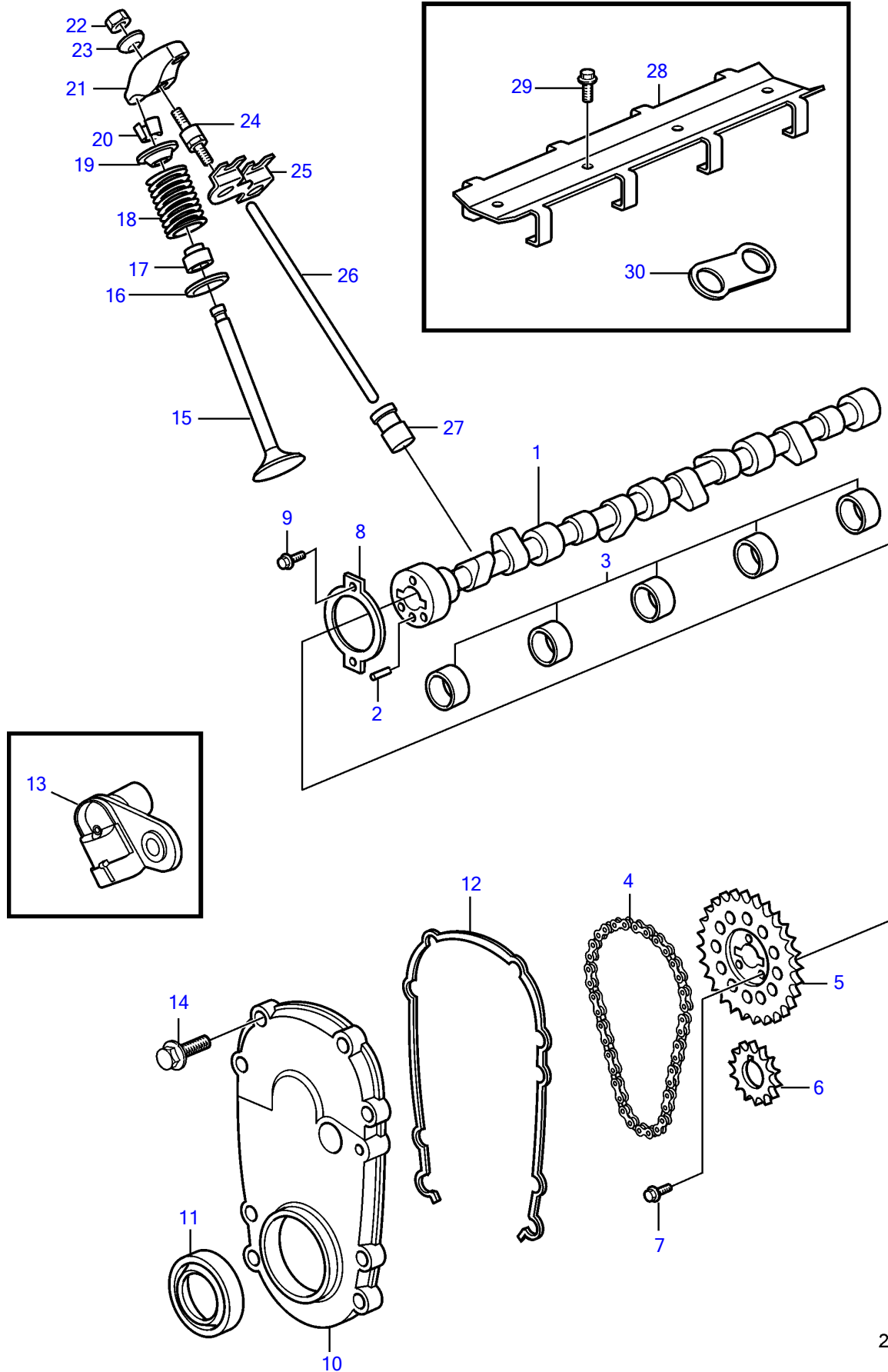


8.1Gi-J, 8.1Gi-JF, 8.1OSi-J, 8.1OSi-JF



20911

8.1Gi-J, 8.1Gi-JF, 8.1OSi-J, 8.1OSi-JF

REF	PART NO.	QTY	DESCRIPTION	NOTES
1	3861265	1	Camshaft	
2	3855972	1	• Pin	
3	(3856881)	1	Bearing kit	Obsolete part
4	3861332	1	Chain	
5	3808515	1	Gear	
6	3861329	1	Sprocket	
7	3861248	3	Bolt	
8	3855998	1	Retainer	
9	3861244	2	Bolt	
10	3808514	1	Timing gear cover	
11	3861319	1	• Sealing	
12	3861281	1	• Gasket	
13	3808513	1	Sensor, camshaft position	
14	3861247	6	Bolt	
15	3861336	8	Exhaust valve	Standard
	3861337	1	Exhaust valve	O.S=0.015"
	3861338	1	Exhaust valve	O.S=0.030"
	3861339	8	Inlet valve	Standard
	3861237	1	Inlet valve	O.S=0.015"
	3861257	1	Inlet valve	O.S=0.030"
16	3855988	16	Valve	
17	3861317	16	Valve stem seal	
18	3861335	16	Valve spring	
19	3855977	16	Cardboard tube	
20	3853351	32	Valve cotter	
21	3861316	16	Rocker arm	
22	3853649	16	Nut	
23	3861232	16	Ball	
24	3861330	16	Stud	
25	3861294	8	Guide	
26	3861314	8	Push rod	Intake
	3861315	8	Push rod	Exhaust
27	3855987	16	Tappet	
28	3855999	1	Retainer	
29	3861248	7	Bolt	
30	3856000	8	Guide	