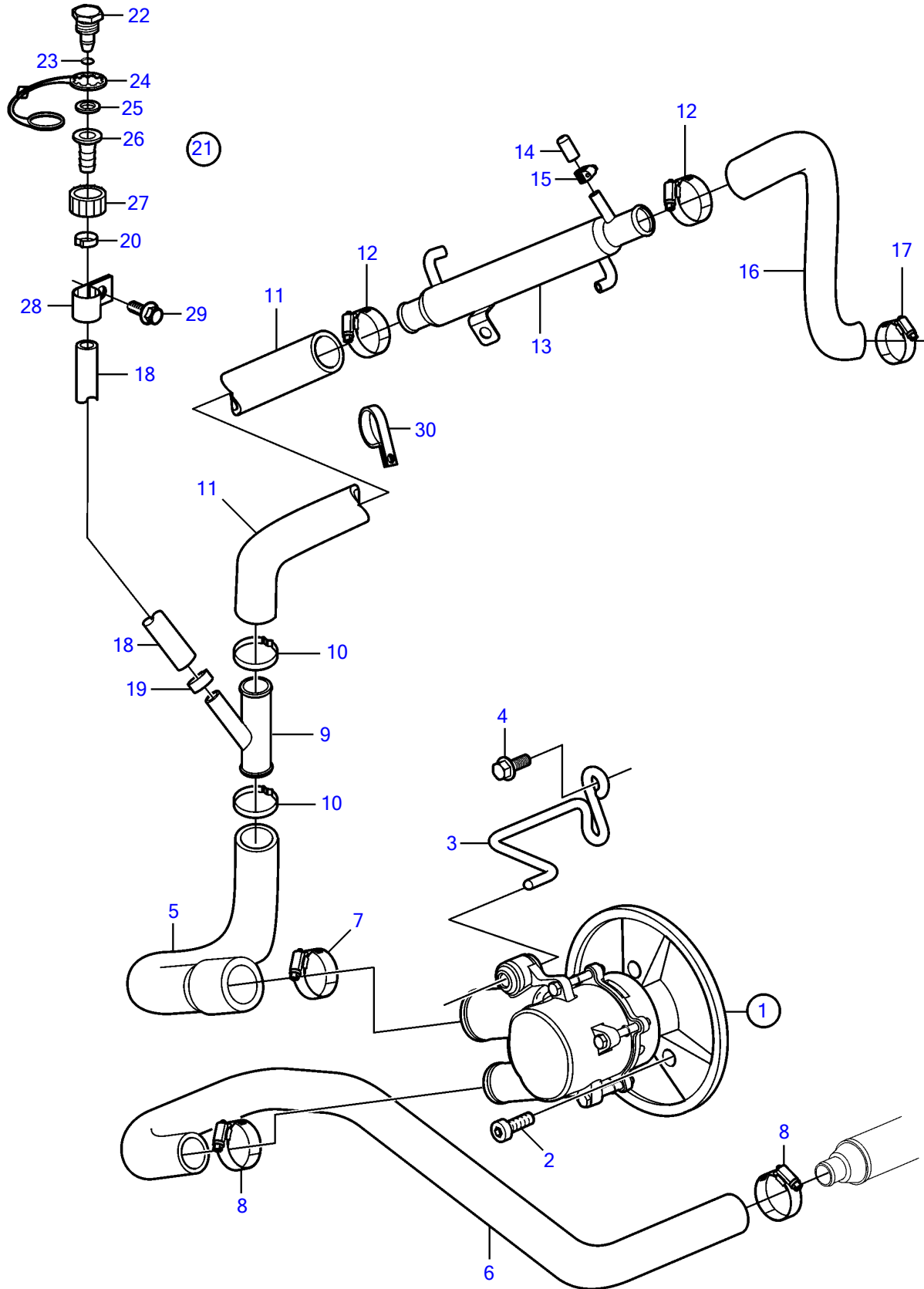


8.10Si-J



8.10Si-J

REF	PART NO.	QTY	DESCRIPTION	NOTES
1	3812518	1	Pump	replaced by next part number
	21212800	1	Pump	
	3842786	1	• Impeller kit	Replaced by 21213664, See "Seawater Pump Parts"
2	959240	3	Hex. socket screw	
3	3817686	1	Bracket	
4	946441	2	Flange screw	
5	3849020	1	Hose	
6	3817819	1	Hose	
7	3863440	1	Hose clamp	
8	3863441	2	Hose clamp	
9	3862699	1	T-pipe	
10	982645	2	Clamp	
11	3849018	1	Hose	
12	3863444	3	Hose clamp	
13	3862629	1	Oil cooler	
14	3856766	1	Cardboard tube	
15	3860413	1	Hose clamp	
16	3861567	1	Hose	
17	3863444	1	Hose clamp	
18	3857823	1	Hose	
19	983168	1	Hose clamp	
20	983146	1	Clamp	
21	3807440	1	Connector	
22		1	• Cap	not sold separately
23	942978	1	• O-ring	
24	3862082	1	• Retainer	
25	3807664	1	• Washer	
26		1	• Connector	not sold separately
27		1	• Connector	not sold separately
28	3862891	1	Attaching clamp	
29	982285	1	Flange screw	
30	3853312	1	Clamp, loop	